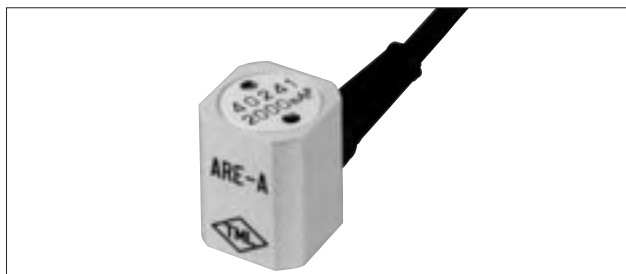


ACCELERATION TRANSDUCERS

ARE-A Acceleration Transducer

1000~10000m/s²



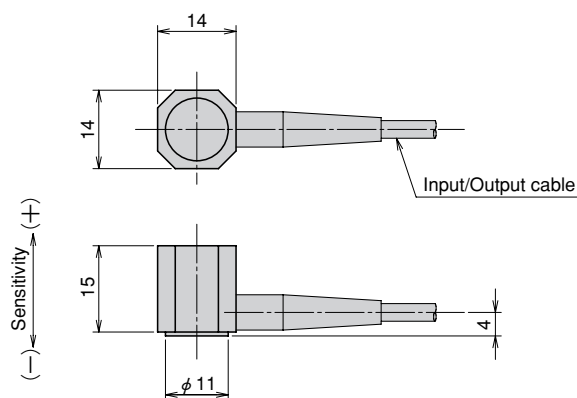
The ARE-A acceleration transducer is used to measure the acceleration of structures subject to relatively strong vibration. It is small, lightweight and easy to operate.

Protection ratings : IP 61 equivalent

Specifications

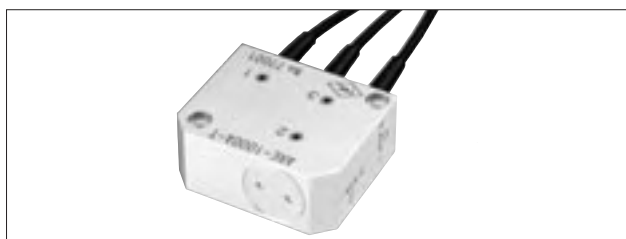
Type	ARE-1000A	ARE-2000A	ARE-5000A	ARE-10000A
Capacity	1000m/s ²	2000m/s ²	5000m/s ²	10000m/s ²
Rated Output	Approx. 0.5mV/V (1000×10 ⁻⁶ strain)			
Non-linearity	1%RO			
Frequency response	1.3kHz	2.1kHz	2.1kHz	5kHz
Natural frequency	2.2kHz	3.5kHz	4.5kHz	7.5kHz
Temperature range	-10~+50°C		-10~+60°C	
Over load	300%			
Input/Output resistance	120 Ω			
Recommended exciting voltage	Less than 2V			
Allowable exciting voltage	5V			
Weight	8g			

Input/output cable : φ 3.2mm 0.08mm² 4-core shielded vinyl cable 5m
Input/output cable is grounded to the body.



ARE-A-T Acceleration Transducer

1000~5000m/s²



The ARE-A-T acceleration transducer measures acceleration in three directions (X, Y and Z) simultaneously. It is small and lightweight and can make high-accuracy measurement with the least interference.

Protection ratings : IP 61 equivalent

Specifications

Type	ARE-1000A-T	ARE-2000A-T	ARE-5000A-T
No. of measurement	3		
Capacity	1000m/s ²	2000m/s ²	5000m/s ²
Rated Output	0.5mV/V (1000×10 ⁻⁶ strain)		
Non-linearity	1%RO		
Frequency response	1.3kHz	2.1kHz	2.1kHz
Natural frequency	2.2kHz	3.5kHz	4.5kHz
Cross sensitivity	3%RO		
Temperature range	-10~+50°C		-10~+60°C
Over load	300%		
Input/Output resistance	120 Ω		
Recommended exciting voltage	Less than 2V		
Allowable exciting voltage	5V		
Weight	77g	77g	75g

Input/output cable : φ 3.2mm 0.08mm² 4-core shielded vinyl cable 5m
Input/output cable is grounded to the body

