

ACCELERATION TRANSDUCERS

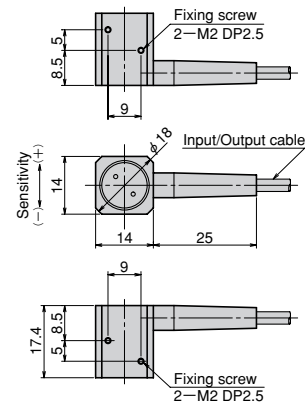
ARF-A Acceleration Transducer

10 ~ 500m/s²



The ARF-A acceleration transducer is used to measure the acceleration of structures subject to vibration such as machinery, vehicles, ships, civil engineering structures, buildings, and so forth. It is small and lightweight and can make measurement on the DC level.

Protection ratings : IP 61 equivalent



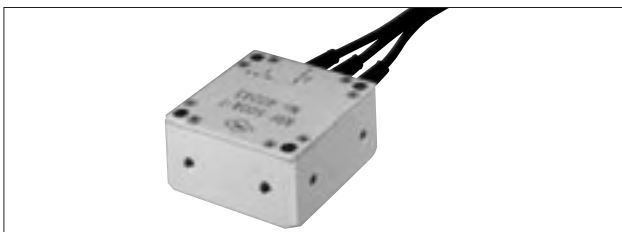
Specifications

Type	ARF-10A	ARF-20A	ARF-50A	ARF-100A	ARF-200A	ARF-500A
Capacity	10m/s ²	20m/s ²	50m/s ²	100m/s ²	200m/s ²	500m/s ²
Rated Output	0.5mV/V (1000×10 ⁻⁶ strain)					
Non-linearity	1%RO					
Frequency response	50Hz	80Hz	130Hz	180Hz	310Hz	520Hz
Natural frequency	100Hz	150Hz	240Hz	300Hz	520Hz	870Hz
Temperature range	-10~+50°C					
Over load	300%					
Input/Output resistance	120Ω					
Recommended exciting voltage	Less than 2V					
Allowable exciting voltage	5V					
Weight	13g					

Input/output cable : φ 3.2mm 0.08mm² 4-core shielded vinyl cable 5m
Input/output cable is grounded to the body.

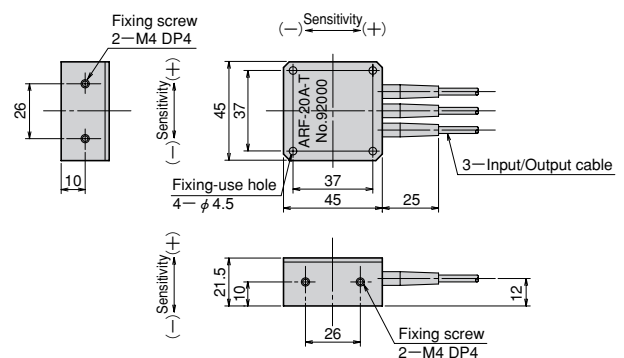
ARF-A-T Acceleration Transducer

20 ~ 500m/s²



The ARF-A-T acceleration transducer measures acceleration in three directions (X, Y and Z) simultaneously. It is small and lightweight and can make high-accuracy measurement with the least interference.

Protection ratings : IP 61 equivalent



Specifications

Type	ARF-20A-T	ARF-50A-T	ARF-100A-T	ARF-200A-T	ARF-500A-T
No. of measurement	3				
Capacity	20m/s ²	50m/s ²	100m/s ²	200m/s ²	500m/s ²
Rated Output	0.5mV/V (1000×10 ⁻⁶ strain)				
Non-linearity	1%RO				
Frequency response	80Hz	130Hz	180Hz	310Hz	520Hz
Natural frequency	150Hz	240Hz	300Hz	520Hz	870Hz
Cross sensitivity	3%RO				
Temperature range	-10~+50°C				
Over load	300%				
Input/Output resistance	120Ω				
Recommended exciting voltage	Less than 2V				
Allowable exciting voltage	5V				
Weight	85g				

Input/output cable : φ 3.2mm 0.08mm² 4-core shielded vinyl cable 5m
Input/output cable is grounded to the body.