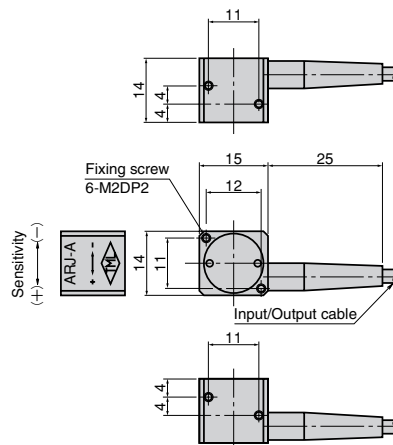
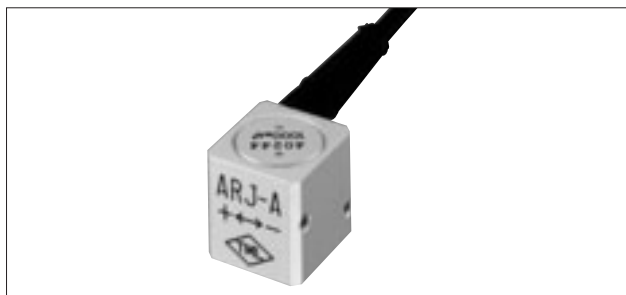


# ACCELERATION TRANSDUCERS

## ARJ-A Acceleration Transducer

50 ~ 2000m/s<sup>2</sup>



The ARJ-A acceleration transducer is small in size and has highly responsive characteristics. It was developed to measure the acceleration of machinery, vehicles, ships, civil engineering structures, buildings, and so forth.

Protection ratings : IP 61 equivalent

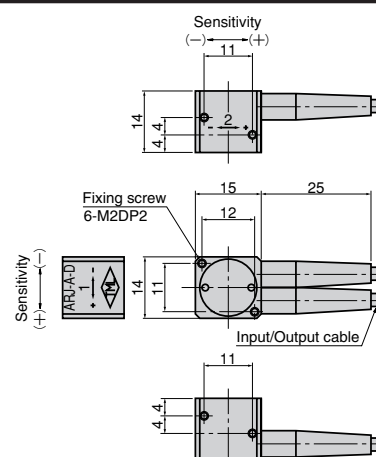
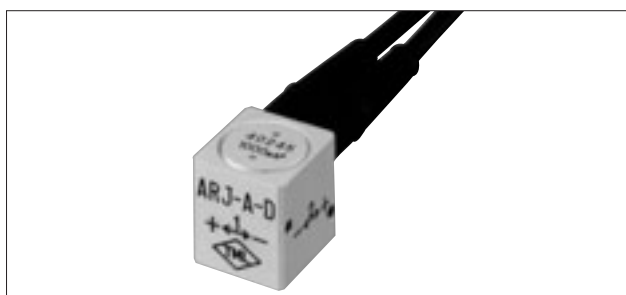
### Specifications

Type	ARJ-50A	ARJ-100A	ARJ-200A	ARJ-500A	ARJ-1000A	ARJ-2000A
No. of measurement	1					
Capacity	50m/s <sup>2</sup>	100m/s <sup>2</sup>	200m/s <sup>2</sup>	500m/s <sup>2</sup>	1000m/s <sup>2</sup>	2000m/s <sup>2</sup>
Rated Output	0.5mV/V (1000×10 <sup>-6</sup> strain)					
Non-linearity	1%RO					
Frequency response	150Hz	300Hz	500Hz	780Hz	1kHz	2kHz
Natural frequency	280Hz	500Hz	830Hz	1kHz	2kHz	3kHz
Temperature range	-10~+60°C			-10~+50°C		
Over load	300%					
Input/output resistance	1kΩ					
Recommended exciting voltage	Less than 5V					
Allowable exciting voltage	15V					
Weight	13g	12g	12g	10g	11g	11g

Input/output cable : φ 3.2mm 0.08mm<sup>2</sup> 4-core shielded vinyl cable 5m  
Input/output cable is grounded to the body.

## ARJ-A-D Acceleration Transducer

50 ~ 2000m/s<sup>2</sup>



The ARJ-A-D acceleration transducer is small in size and has highly responsive characteristics. It was developed to measure the acceleration of machinery, vehicles, ships, civil engineering structures, buildings, and so forth.

Protection ratings : IP 61 equivalent

### Specifications

Type	ARJ-50A-D	ARJ-100A-D	ARJ-200A-D	ARJ-500A-D	ARJ-1000A-D	ARJ-2000A-D
No. of measurement	2					
Capacity	50m/s <sup>2</sup>	100m/s <sup>2</sup>	200m/s <sup>2</sup>	500m/s <sup>2</sup>	1000m/s <sup>2</sup>	2000m/s <sup>2</sup>
Rated Output	0.5mV/V (1000×10 <sup>-6</sup> strain)					
Non-linearity	1%RO					
Frequency response	150Hz	300Hz	500Hz	780Hz	1kHz	2kHz
Natural frequency	280Hz	500Hz	830Hz	1kHz	2kHz	3kHz
Cross sensitivity	3%RO					
Temperature range	-10~+60°C			-10~+50°C		
Over load	300%					
Input/output resistance	1kΩ					
Recommended exciting voltage	Less than 5V					
Allowable exciting voltage	15V					
Weight	14g	13g	13g	11g	12g	12g

Input/output cable : φ 3.2mm 0.08mm<sup>2</sup> 4-core shielded vinyl cable 5m  
Input/output cable is grounded to the body.