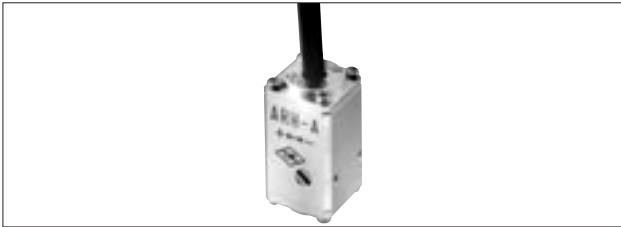


# ACCELERATION TRANSDUCERS

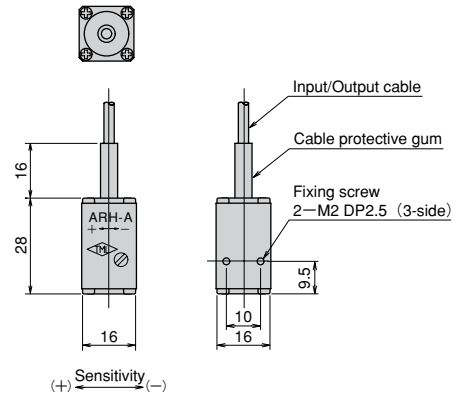
## ARH-A Acceleration Transducer

10~500m/s<sup>2</sup>



The ARH-A acceleration transducer has a waterproof structure. It is installed in water or ground or embedded in concrete. The rigid waterproof structure makes this transducer suitable for use in an adverse environment or for outdoor use.

Protection ratings : IP 67 equivalent



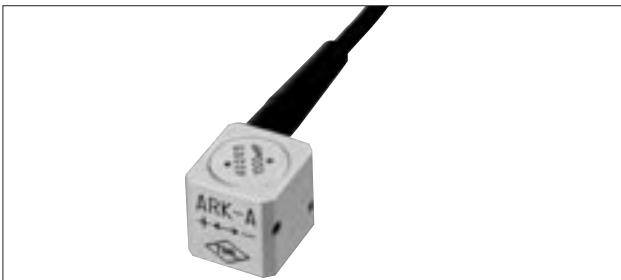
### Specifications

Type	ARH-10A	ARH-20A	ARH-50A	ARH-100A	ARH-200A	ARH-500A
Capacity	10m/s <sup>2</sup>	20m/s <sup>2</sup>	50m/s <sup>2</sup>	100m/s <sup>2</sup>	200m/s <sup>2</sup>	500m/s <sup>2</sup>
Rated Output	0.5mV/V (1000×10 <sup>-6</sup> strain)					
Non-linearity	1%RO					
Frequency response	50Hz	80Hz	130Hz	180Hz	310Hz	520Hz
Natural frequency	100Hz	150Hz	240Hz	300Hz	520Hz	870Hz
Temperature range	-10~+50°C					
Over load	300%					
Input/Output resistance	120Ω					
Recommended exciting voltage	Less than 2V					
Allowable exciting voltage	5V					
Water pressure resistive	500kPa					
Weight	18g					

Input/output cable : φ 3.2mm 0.08mm<sup>2</sup> 4-core shielded vinyl cable 5m  
 Input/output cable is grounded to the body.

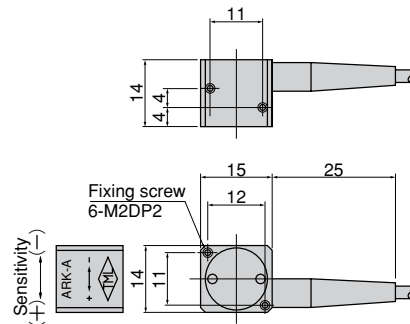
## ARK-A Acceleration Transducer

1000/2000m/s<sup>2</sup>



The ARK-A acceleration transducer is highly responsive in the range of high frequencies. It is suitable for impact acceleration measurement.

Protection ratings : IP 61 equivalent



### Specifications

Type	ARK-1000A	ARK-2000A
Capacity	1000m/s <sup>2</sup>	2000m/s <sup>2</sup>
Rated Output	0.5mV/V (1000×10 <sup>-6</sup> strain)	
Non-linearity	1%RO	
Frequency response	2kHz	3kHz
Natural frequency	3kHz	4.5kHz
Temperature range	-10~+50°C	
Over load	300%	
Input/Output resistance	120Ω	
Recommended exciting voltage	Less than 2V	
Allowable exciting voltage	5V	
Weight	10g	

Input/output cable : φ 3.2mm 0.08mm<sup>2</sup> 4-core shielded vinyl cable 5m  
 Input/output cable is grounded to the body.