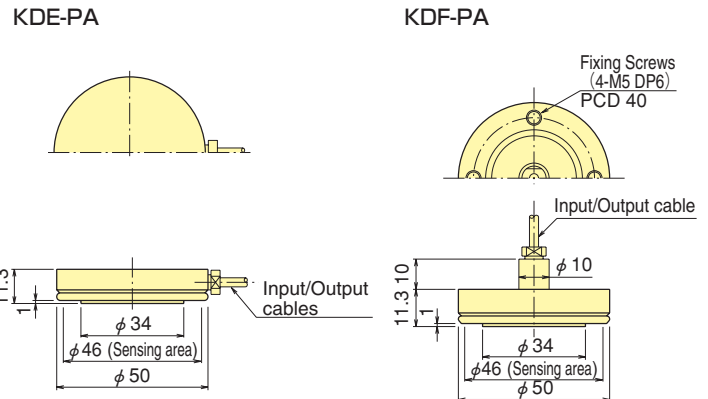
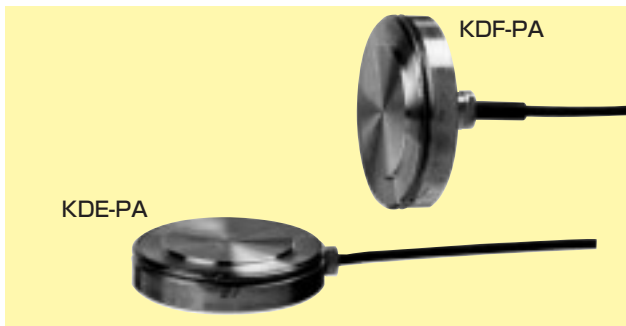


KDE-PA/KDF-PA Soil Pressure Gauge



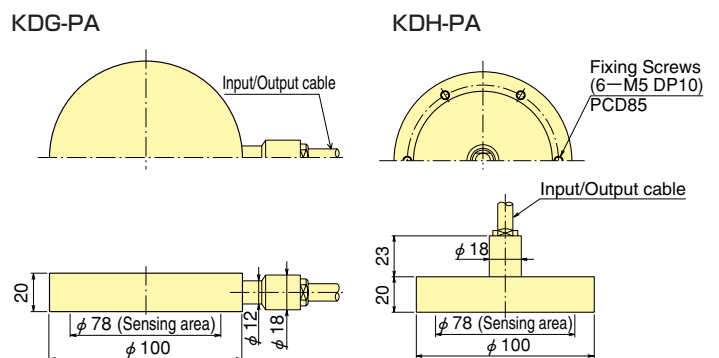
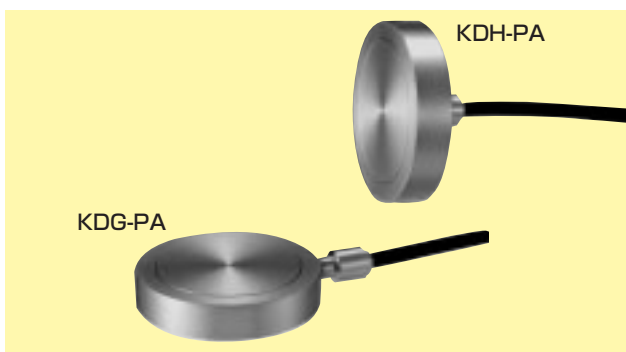
The KDE-PA and KDF-PA are soil pressure gauges each 50 mm in outside diameter. They are small in size and have a dual diaphragm structure, so they are widely used to conduct model experiments. With the KDE-PA, the Input/Output cable comes from the side of body, while with the KDF-PA, it comes from the center of the back of body. This is the difference between these two models.
Protection ratings : IP 68 equivalent

Specifications

Type	KDE-200KPa	KDF-200KPa	KDE-500KPa	KDF-500KPa	KDE-1MPa	KDF-1MPa	KDE-2MPa	KDF-2MPa
Capacity	200kPa		500kPa		1MPa		2MPa	
Rated output	Approx. 0.3mV/V (600×10 ⁻⁶ strain)				Approx. 0.5mV/V (1000×10 ⁻⁶ strain)			
Non-linearity	2%RO							
Temperature range	-20~+60°C							
Input/output resistance	350 Ω							
Recommended exciting voltage	Less than 3V							
Allowable exciting voltage	10V							
Cable drawing direction	KDE-PA : from side of body/KDF-PA : from back of body							
Weight	160g							

Input/output cable : φ 3mm 0.05mm² 4-core shielded chloroprene cable 2m

KDG-PA/KDH-PA Load-Cell type Soil Pressure Gauge



The KDG-PA and KDH-PA are stainless-steel soil pressure gauges each 100 mm in outside diameter. They are load-cell-type soil pressure gauges and designed with a high level of resistance to lateral pressure. The difference between these two models is the way the cable is attached to the gauge body.
Protection ratings : IP 68 equivalent

Specifications

Type	KDG-200KPa	KDH-200KPa	KDG-500KPa	KDH-500KPa	KDG-1MPa	KDH-1MPa	KDG-2MPa	KDH-2MPa
Capacity	200kPa		500kPa		1MPa		2MPa	
Rated output	Approx. 1mV/V (2000×10 ⁻⁶ strain)							
Non-linearity	1%RO							
Temperature range	-20~+60°C							
Input/output resistance	350 Ω							
Recommended exciting voltage	Less than 3V							
Allowable exciting voltage	10V							
Cable drawing direction	KDG-PA : from side of body/KDH-PA : from back of body							
Weight	1.2kg							

Input/output cable : φ 9mm 0.5mm² 4-core shielded chloroprene cable 2m