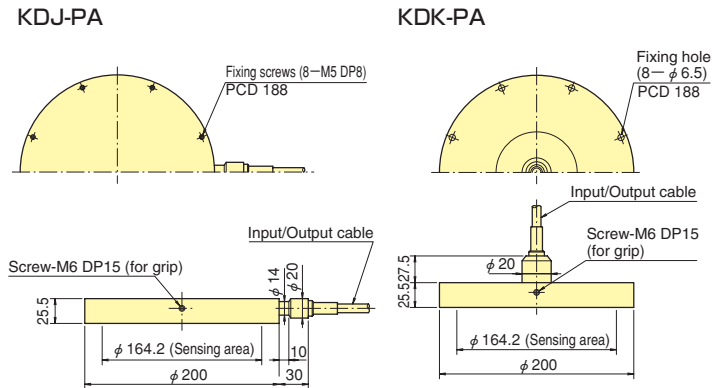


KDJ-PA/KDK-PA Load-Cell type Soil Pressure Gauge



The KDJ-PA and KDK-PA are stainless-steel soil pressure gauges each 200 mm in outside diameter. They are load-cell-type soil pressure gauges and designed with a high level of resistance to lateral pressure. The difference between these two models is the way the cable is attached to the gauge body.

Protection ratings : IP 68 equivalent

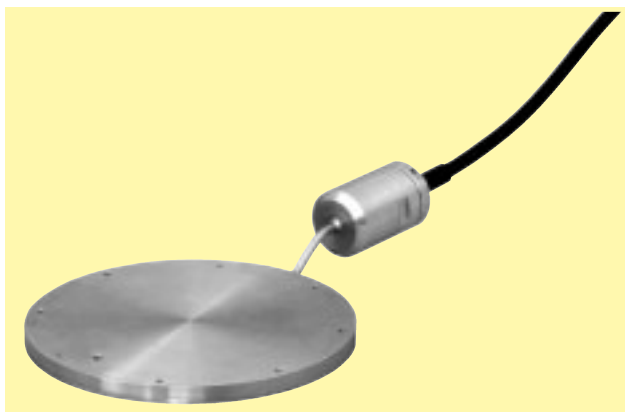


Specifications

Type	KDJ-200KPa	KDK-200KPa	KDJ-500KPa	KDK-500KPa	KDJ-1MPa	KDK-1MPa	KDJ-2MPa	KDK-2MPa
Capacity	200kPa		500kPa		1MPa		2MPa	
Rated output	Approx. 1mV/V (2000×10 ⁻⁶ strain)							
Non-linearity	1%RO							
Temperature range	-20~+60°C							
Input/output resistance	120 Ω							
Recommended exciting voltage	Less than 3V							
Allowable exciting voltage	10V							
Cable drawing direction	KDJ-PA: from side of body / KDK-PA: from back of body							
Weight	5.2kg							

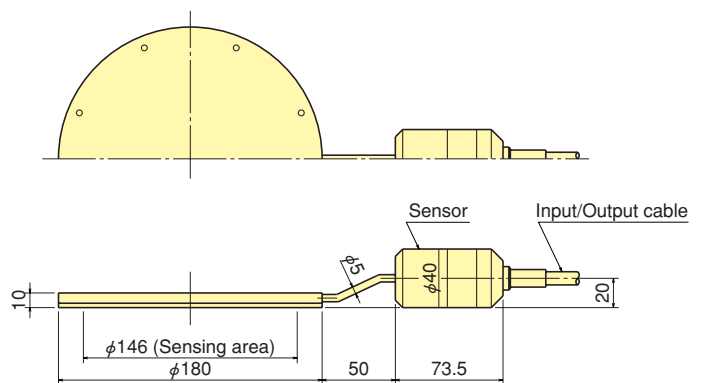
Input/output cable : φ 9mm 0.5mm² 4-core shielded chloroprene cable 2m

KDL-PA Soil Pressure Gauge



The KDL-PA is specially designed to keep the stress distribution in soil undisturbed under pressure.

Protection ratings : IP 68 equivalent



Specifications

Type	KDL-200KPa
Capacity	200kPa
Rated output	Approx. 1mV/V (2000×10 ⁻⁶ strain)
Non-linearity	1%RO
Temperature range	-20~+60°C
Input/output resistance	350 Ω
Recommended exciting voltage	Less than 3V
Allowable exciting voltage	10V
Weight	5.2kg

Input/output cable : φ 9mm 0.5mm² 4-core shielded chloroprene cable 2m