

PRESSURE TRANSDUCERS

PWA Amplifier-integrated Pressure Transducer

2~50MPa



The PWA pressure transducer is a strain gauge pressure transducer with built-in amplifier. As the model equipped with a fluoroplastic input/output cable, a high temperature pressure measurement is available up to 120°C. This model consists of two types of outputs for voltage and current and five ranges of 2, 5, 10, 20 and 50MPa.

Protection ratings : IP 65 equivalent

PWA-PAHV Voltage output type 0~5V
PWA-PAHA Current output type 4~20mA

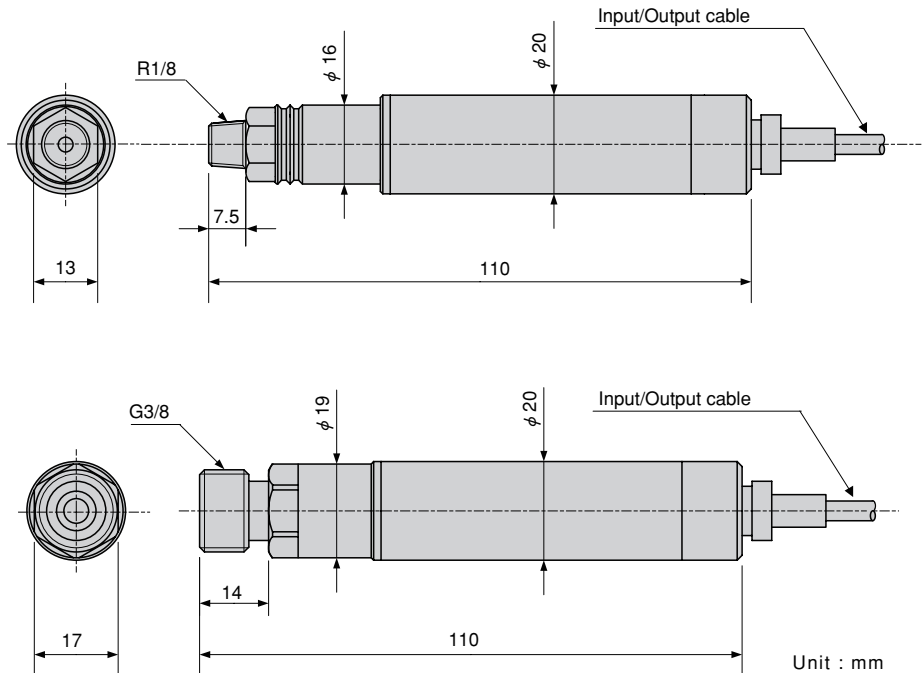
Outer dimensions

[Voltage output type]
PWA-2MPAHV
PWA-5MPAHV
PWA-10MPAHV
PWA-20PAHV

[Current output type]
PWA-2MPAHA
PWA-5MPAHA
PWA-10MPAHA
PWA-20PAHA

[Voltage output type]
PWA-50MPAHV

[Current output type]
PWA-50MPAHA



Specifications

Type	PWA-2MPAHV	PWA-5MPAHV	PWA-10MPAHV	PWA-20MPAHV	PWA-50PAHV	PWA-2MPAHA	PWA-5MPAHA	PWA-10MPAHA	PWA-20MPAHA	PWA-50MPAHA
Capacity	2MPa	5MPa	10MPa	20MPa	50MPa	2MPa	5MPa	10MPa	20MPa	50MPa
Rated Output	Voltage 0 ~ 5V					Current 4 ~ 20mA				
Non-linearity	0.3%RO					0.3%RO				
Hysteresis	0.3%RO					0.3%RO				
Temperature effect on zero	0.01%RO/°C					0.01%RO/°C				
Temperature effect on span	0.03%/°C					0.03%/°C				
Compensated temperature range	-20 ~ +150°C (Pressure media) -20 ~ +120°C (Operating)					-20 ~ +150°C (Pressure media) -20 ~ +120°C (Operating)				
Temperature range	-20 ~ +120°C					-20 ~ +120°C				
SN ratio	More than 50dB					More than 50dB				
Load resistance	More than 5 kΩ					Less than 500 Ω				
Over load	150%					150%				
Power supply	DC12(10.5 ~ 15) V 30mA MAX					DC24(21 ~ 30) V 30mA MAX				
Fitting screw	R 1/8 Male				G3/8 Male	R 1/8 Male				G3/8 Male
Material of pressure port	SUS630					SUS630				
Weight	110 g				127g	110 g				127g

Supplied cable : CT4-4F5/SNP-STB(φ 4mm 0.08mm² 4-core shielded fluoro plastic resin cable 5m long with loose end)