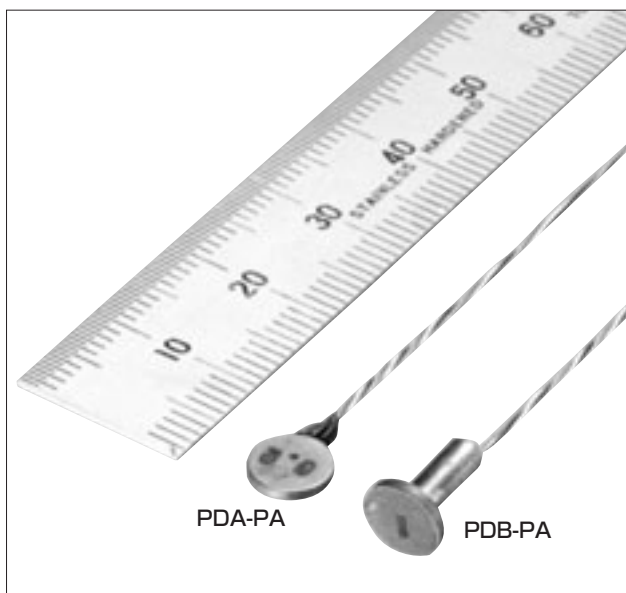
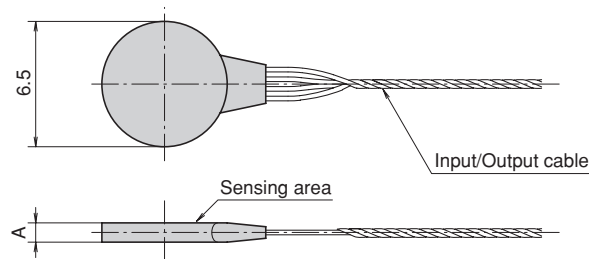


PRESSURE TRANSDUCERS

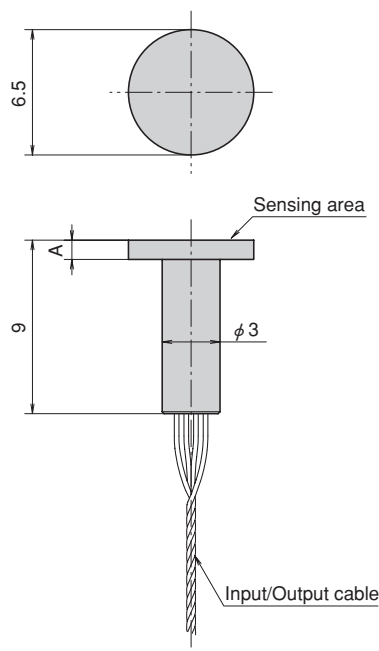
PDA-PA/PDB-PA Miniature Pressure Gauge 200kPa~3MPa



PDA-PA



PDB-PA



The sensing part of the PDA-PA and PDB-PA miniature pressure gauges is 6.5 mm in diameter and 1 mm in thickness. As they are waterproof for daily ordinary use, they can be used in water. They use a scratch-resistant Teflon-covered cable. Although the PDA-PA and PDB-PA are the same miniature pressure gauges, the leader line is attached to each gauge body differently.

Note: If used in water for a prolonged period, the waterproof performance might deteriorate.

Protection ratings : IP 67 equivalent

■ Dimensions

Type	A	Weight(g)
PDA-200KPA	1	0.1
PDA-500KPA	1	0.1
PDA-1MPa	1	0.1
PDA-2MPa	1.4	0.2
PDA-3MPa	1.4	0.2
PDB-200KPA	1	0.5
PDB-500KPA	1	0.5
PDB-1MPa	1	0.5
PDB-2MPa	1.4	0.6
PDB-3MPa	1.4	0.6

■ Specifications

Type	PDA-200KPA/PDB-200KPA	PDA-500KPA/PDB-500KPA	PDA-1MPa/PDB-1MPa	PDA-2MPa/PDB-2MPa	PDA-3MPa/PDB-3MPa
Capacity	200kPa	500kPa	1MPa	2MPa	3MPa
Rated output	0.8mV/V (1600×10 ⁻⁶ strain) / 1mV/V (2000×10 ⁻⁶ strain)				
Non-linearity	1%RO				
Hysteresis	1%RO				
Temperature effect on zero	1%RO/°C				
Temperature effect on span	1%/°C				
Compensated temperature range	-10~+60°C (no icing)				
Temperature range	-20~+70°C (no icing)				
Input/output resistance	350 Ω				
Recommended exciting voltage	Less than 2V				
Allowable exciting voltage	5V				

Input/output cable : 0.005mm² 4-core Fluoride plastic insulated cable 1m