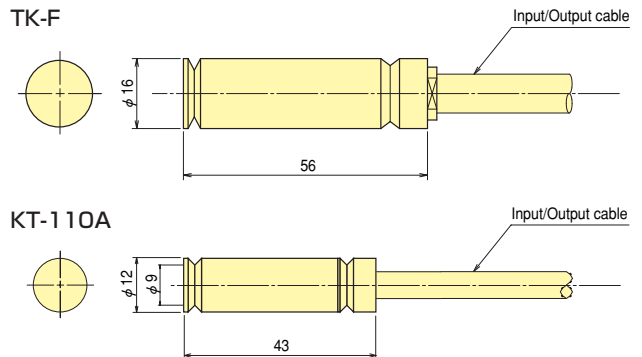
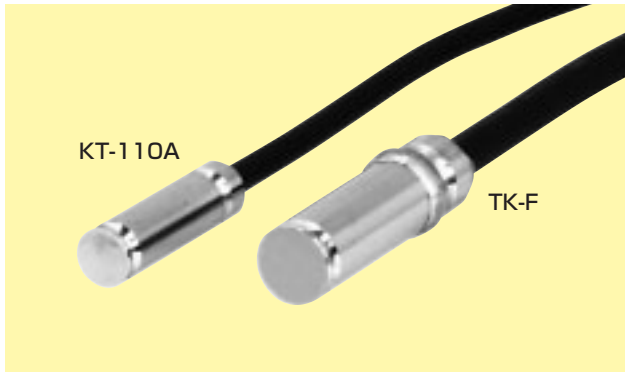


TK-F/KT-A Temperature Gauge



The TK-F and KT-110A temperature gauges use a special temperature gauge as an internal sensor device. It has a waterproof structure and is suitable for being embedded in concrete or soil. Because it is designed with the 4-gauge bridge method, actual temperature can be measured using a measuring instrument that supports entry of initial values.

Specifications

Type	TK-F	KT-110A
Capacity	-20~+80°C	-30~+80°C
Sensitivity	Approx. 140×10^{-6} strain/°C	Approx. 130×10^{-6} strain/°C
Measuring accuracy	±1°C	±0.3°C
Input/output resistance	350 Ω in full bridge	
Outer dimension	φ 16mm×56mm	φ 12mm×43mm
Weight	50g	20g

Input/output cable : TK-F φ 9mm 0.5mm² 4-core shielded chloroprene cable 2m
 KT-110A φ 6mm 0.35mm² 4-core shielded chloroprene cable 2m

Thermocouple

Specifications

Type	Thermo-couple	Core diameter	Covering	Color of covering	Max. temperature of covering	Length per roll	Remarks
T-G-0.32	T	0.32	Heat resistant vinyl	Brown	100°C	100m	
T-G-0.65	T	0.65	Heat resistant vinyl	Brown	100°C	100m	
T-6F-0.32	T	0.32	Fuluoroplastic	Brown	200°C	100m	
T-6F-0.65	T	0.65	Fuluoroplastic	Brown	200°C	100m	
T-GS-0.65	T	0.65	Heat resistant vinyl	Brown	100°C	100m	Shielded
K-H-0.32	K	0.32	Glass	Blue	350°C	100m	
K-H-0.65	K	0.65	Glass	Blue	350°C	100m	