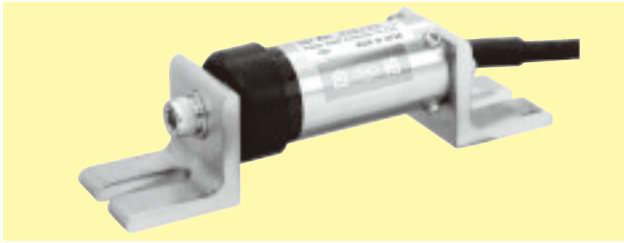


KG-A Crack Displacement Transducer



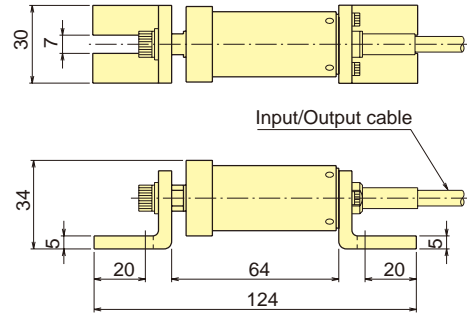
The KG-A crack displacement transducer is set across a crack on the surface of concrete or across a joint between two concrete layers to measure the displacement of openings. The waterproof feature allows this transducer to make accurate and stable measurement outdoors over a long period of time. It is mounted using an anchor bolt (KGF-11) or a mounting metal piece (KGF-31).

Protection ratings : IP 65 equivalent

Specifications

Type	KG-2A	KG-5A
Capacity	± 2mm	± 5mm
Rated output	1.5mV/V (3000 × 10 ⁻⁶ strain)	2mV/V (4000 × 10 ⁻⁶ strain)
Sensitivity	Approx. 1500 × 10 ⁻⁶ strain/mm	Approx. 800 × 10 ⁻⁶ strain/mm
Non-linearity	0.5 %RO	
Spring force	15N	
Temperature range	- 20~ + 60 (no icing)	
Input/output resistance	350	
Recommended exciting voltage	Less than 2V	
Allowable exciting voltage	5V	
Weight	180g	

Input/output cable : 6mm 0.35mm² 4-core shielded chloroprene cable 2m



Accessory

Anchor Bolt KGF-11

This bolt is used to mount the KG-A transducer. After the bolt is placed on to concrete surface the KG-A is mounted. (2 pcs/set)
Thread M6

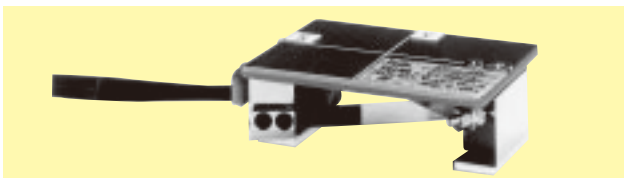
Fixing Jig KGF-31

This jig is screw-mounted to the collar of the transducer, and bonded on to concrete surface. (2 pcs/set)

Protective Cover KGF-21

This cover protects the transducer installed on to concrete surface from mechanical damage.

KG-B Crack Displacement Transducer

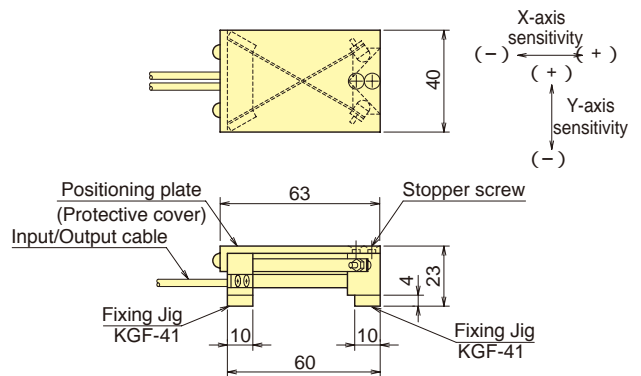


The KG-B crack displacement transducer is used to measure the displacement in two directions simultaneously: the displacement of openings, such as concrete cracks or joints, and the horizontal shear displacement. It is glued to a mounting plate, which is then mounted on a structure. Because the mounting plate is detachable, the transducer can be demounted and set on a different structure. This allows this transducer to be used repeatedly on different structures. In addition, the small-size feature makes this transducer suitable for indoor measurement.

Specifications

Type	KG-3B
Capacity	X-direction + 4mm, - 2mm
	Y-direction ±3mm
Rated output	X-direction: Approx. +2mV/V, -1mV/V (+4000×10 ⁻⁶ strain, -2000×10 ⁻⁶ strain) Y-direction: Approx. 1.5mV/V (3000×10 ⁻⁶ strain)
Sensitivity	Approx. 1000× 10 ⁻⁶ strain/mm
Non-linearity	1%RO
Temperature range	0 ~ + 40
Input/output resistance	350Ω
Cross sensitivity	X-direction 1.5% Y-direction 2%
Recommended exciting voltage	Less than 2V
Allowable exciting voltage	5V
Weight	90g

Input/output cable : 3mm 0.05mm² 4-core shielded chloroprene cable 2m × 2pcs.



Accessory

Fixing Jig KGF-41

This jig is bonded onto concrete surface to mount the transducer. (2 pcs/set)

Dummy plate KGF-61

This plate is temporarily mounted to maintain proper gauge length for installation of the transducer with KGF-41 jig.