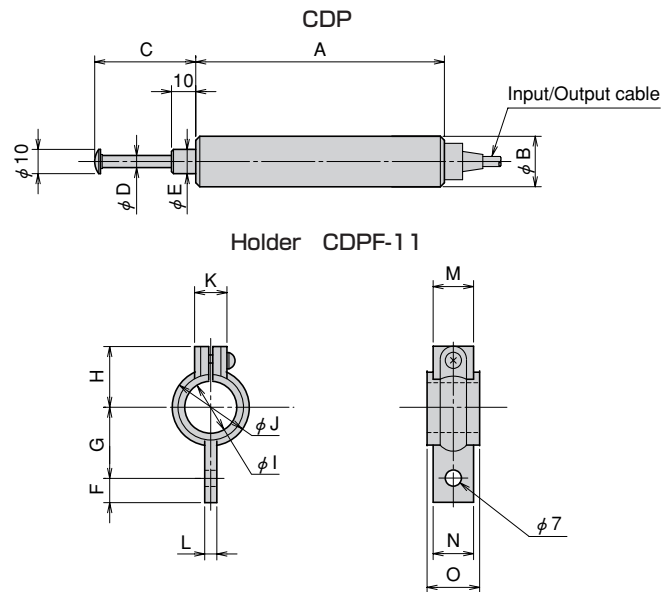


# DISPLACEMENT TRANSDUCERS

## CDP Displacement Transducer

5~100mm



The CDP displacement transducer is a compact, easy-to-operate strain transducer. Because it is designed to produce a large output and to deliver stable performance, highly accurate measurements can be made. It is suitable for both static and dynamic measurements.

Protection ratings : IP 40 equivalent

### ■ Dimensions

Type	A	B	C	D	E
CDP-5	99	20.5	20	5	10
CDP-10	99	20.5	24	5	10
CDP-25	114	20.5	40	5	10
CDP-50	154	33.5	65	5	10
CDP-100	274	41	118	6	12

### ■ Dimensions HOLDER

Type	Applicable transducer	F	G	H	I	J	K	L	M	N	O
CDPF-11-25	CDP-5~25	10	28	25	20.5	30	13	5	15	15	20
CDPF-11-50	CDP-50	10	35	32	33.5	43	13	5	15	15	20
CDPF-11-100	CDP-100	11	36	40	41	50	17.5	8	14	16	25

### ■ Specifications

Type	CDP-5	CDP-10	CDP-25	CDP-50	CDP-100
Capacity	5mm	10mm	25mm	50mm	100mm
Rated output	5mV/V±0.15% (10000×10 <sup>-6</sup> strain±0.15%)	5mV/V±0.1% (10000×10 <sup>-6</sup> strain±0.1%)	6.25mV/V±0.1% (12500×10 <sup>-6</sup> strain±0.1%)	5mV/V±0.1% (10000×10 <sup>-6</sup> strain±0.1%)	
Sensitivity	2000×10 <sup>-6</sup> strain/mm	1000×10 <sup>-6</sup> strain/mm	500×10 <sup>-6</sup> strain/mm	200×10 <sup>-6</sup> strain/mm	100×10 <sup>-6</sup> strain/mm
Non-linearity	0.15%RO	0.1%RO			
Spring force	6.4N	3.4N			4.9N
Frequency response	40Hz	12Hz	8Hz	6Hz	3Hz
Temperature effect on zero	0.01%/RO/°C		0.008%/RO/°C		0.01%/RO/°C
Compensated temperature range	0~+40°C (no condensation)				
Temperature range	-10~+60°C (no condensation)				
Input/output resistance	350 Ω				
Recommended exciting voltage	Less than 2V				
Allowable exciting voltage	10V				
Holders supplied	1 pc.			2 pcs.	
Weight	90g		100g	270g	580g

Supplied cable : CT6-4V10/NJ-STB (φ 6mm 0.3mm<sup>2</sup> 4-core shielded vinyl cable 10m)