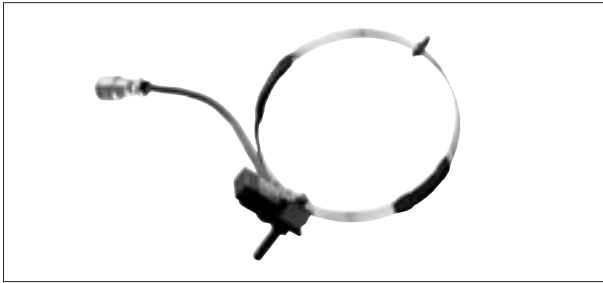


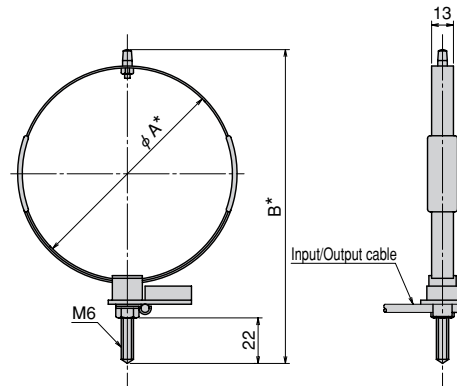
DISPLACEMENT TRANSDUCERS

OU Displacement Transducer

10 ~ 30mm



The OU displacement transducer is a combination of a round plate spring and strain gauges. It is mounted with its probe pressed against a structure. When displacement occurs in the structure, the plate spring is deformed and the amount of output proportional to the amount of displacement can be output.



* : Approximate value

Specifications

Type	OU-10	OU-20	OU-30
Capacity	10mm	20mm	30mm
Rated Output	5mV/V(10000×10 ⁻⁶ strain)		
Sensitivity	1000×10 ⁻⁶ strain/mm	500×10 ⁻⁶ strain/mm	300×10 ⁻⁶ strain/mm
Non-linearity	1%RO		
Spring force	31N	25N	17N
Frequency response	55Hz	30Hz	20Hz
Temperature range	0~+40°C		
Input/output resistance	350 Ω		
Recommended exciting voltage	Less than 2V		
Allowable exciting voltage	10V		
Weight	60g	70g	75g

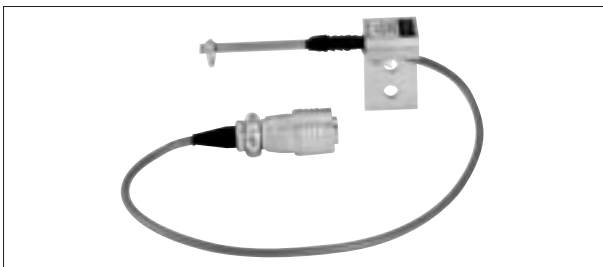
Supplied cable : CT6-4V5/NJ-STB (φ6mm 0.3mm² 4-core shielded vinyl cable 5m)

Dimensions

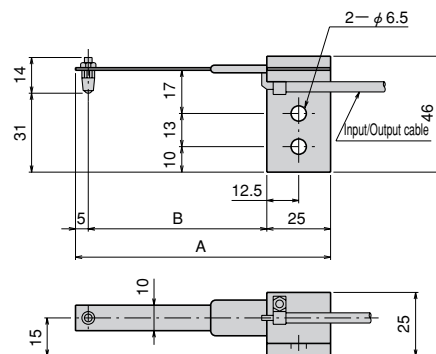
Type	A	B
OU-10	80	130
OU-20	110	160
OU-30	150	200

CE Displacement Transducer

2 ~ 10mm



The CE displacement transducer has the structure of a cantilever mounted on a strain gauge. The high responsiveness to displacement and the simple structure allows this transducer to make accurate and stable measurement and to be installed in a confined space.



Specifications

Type	CE-2	CE-5	CE-10
Capacity	2mm	5mm	10mm
Rated Output	2.5mV/V(5000×10 ⁻⁶ strain)		
Sensitivity	2500×10 ⁻⁶ strain/mm	1000×10 ⁻⁶ strain/mm	500×10 ⁻⁶ strain/mm
Non-linearity	1%RO		
Spring force	7.1N	4.7N	3.2N
Frequency response	110Hz	45Hz	25Hz
Temperature range	0~+40°C		
Input/output resistance	350 Ω		
Recommended exciting voltage	Less than 2V		
Allowable exciting voltage	10V		
Weight	90g		95g

Supplied cable : CT6-4V5/NJ-STB (φ6mm 0.3mm² 4-core shielded vinyl cable 5m)

Dimensions

Type	A	B
CE-2	75	45
CE-5	100	70
CE-10	130	100