

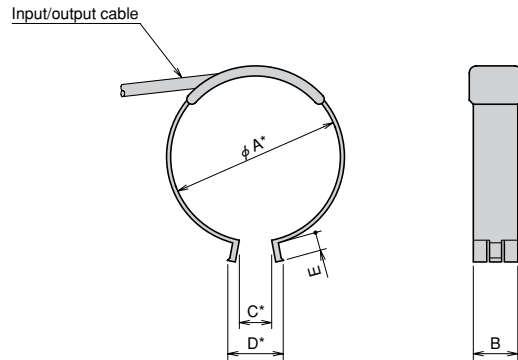
DISPLACEMENT TRANSDUCERS

RA Displacement Transducer

2/5mm



The RA Displacement Transducer is designed to measure crack opening displacement(COD) in metal.



*Approximate value

Specifications

Type	RA-2	RA-5
Capacity	2 (2~4)mm	5 (2~7)mm
Rated output	1mV/V (2000×10 ⁻⁶ strain)	1.5mV/V (3000×10 ⁻⁶ strain)
Sensitivity	1000×10 ⁻⁶ strain/mm	600×10 ⁻⁶ strain/mm
Non-linearity	1%RO	
Temperature range	0~+40°C	
Input/output resistance	350 Ω	
Recommended exciting voltage	Less than 2V	
Allowable exciting voltage	10V	
Weight	31g	35g

Input/Output cable : ϕ 3mm 0.09mm² 4-core vinyl cable 2m

Dimensions

Type	A	B	C	D	E
RA-2	40	10	8	13	5
RA-5	50	12	14	19	10

Accessory

Fixing Jig RAF-11

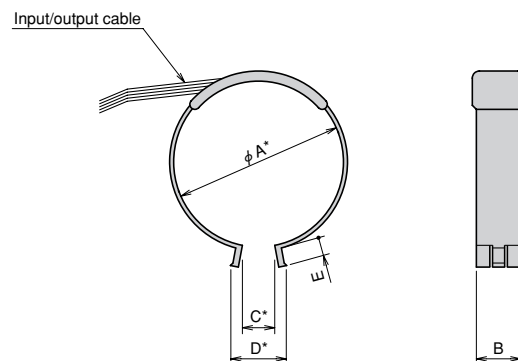
The RAF-11 is pre-mounted to test specimen in order to clasp-mount the RA.

RA-L Displacement Transducer

2/5mm



The RA-L Displacement Transducer is designed to measure crack opening displacement(COD) in metal under low-temperature conditions.



*Approximate value

Specifications

Type	RA-2L	RA-5L
Capacity	2 (2~4)mm	5 (2~7)mm
Rated output	1mV/V (2000×10 ⁻⁶ strain)	1.5mV/V (3000×10 ⁻⁶ strain)
Sensitivity	1000×10 ⁻⁶ strain/mm	600×10 ⁻⁶ strain/mm
Non-linearity	1%RO	
Temperature range	-196~+40°C	
Input/output resistance	350 Ω	
Recommended exciting voltage	Less than 2V	
Allowable exciting voltage	10V	
Weight	22g	28g

NB: Calibration available only at room temperature.

Input/Output cable : 0.08mm² 4-core Fluoride plastic insulated cable 2m

Dimensions

Type	A	B	C	D	E
RA-2L	40	10	8	13	5
RA-5L	50	12	14	19	10

Accessory

Fixing Jig RAF-11

The RAF-11 is pre-mounted to test specimen in order to clasp-mount the RA-L.