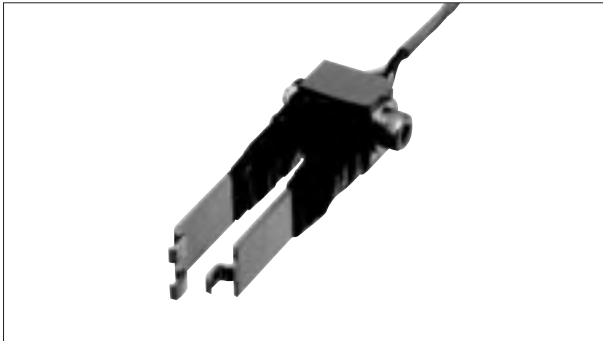


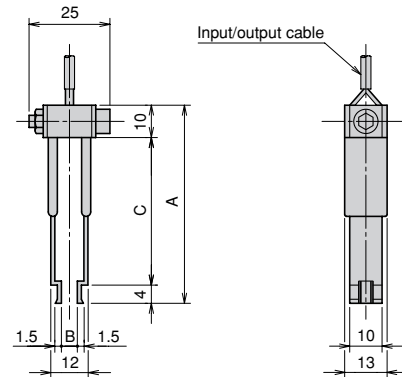
DISPLACEMENT TRANSDUCERS

UB Displacement Transducer

2/5mm



The UB Displacement Transducer is designed to measure crack opening displacement(COD) in metal.



Specifications

| Type | UB-2 | UB-5 |
|------------------------------|--|---------------------------------|
| Capacity | 2 (2~4)mm | 5 (2~7)mm |
| Rated output | 2.5mV/V (5000×10 ⁻⁶ strain) | |
| Sensitivity | 2500×10 ⁻⁶ strain/mm | 1000×10 ⁻⁶ strain/mm |
| Non-linearity | 1%RO | |
| Temperature range | 0~+40°C | |
| Input/output resistance | 350Ω | |
| Recommended exciting voltage | Less than 2V | |
| Allowable exciting voltage | 10V | |
| Weight | 39g | 42g |

Input/Output cable : φ3mm 0.09mm² 4-core vinyl cable 2m

Dimensions

| Type | A | B | C |
|------|----|---|----|
| UB-2 | 40 | 2 | 26 |
| UB-5 | 60 | 5 | 46 |

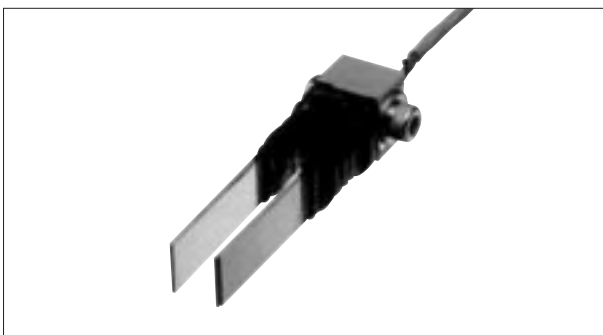
Accessory

Fixing Jig RAF-11

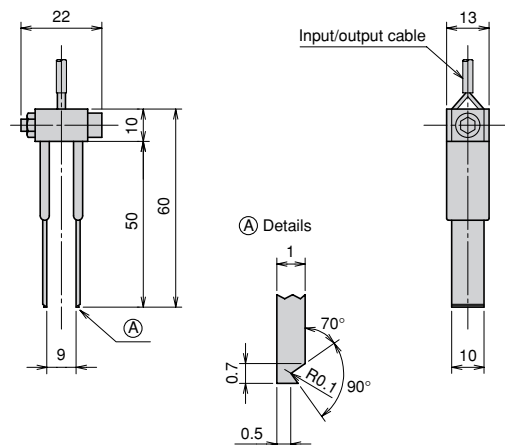
The RAF-11 is pre-mounted to test specimen in order to clasp-mount the UB.

UB-A Displacement Transducer

5mm



The UB-A Displacement Transducer is designed to measure crack opening displacement(COD) in metal. The shape of the tip conforms to ASTM specifications.



Specifications

| Type | UB-5A |
|------------------------------|--|
| Capacity | 5 (3~8)mm |
| Rated output | 2.5mV/V (5000×10 ⁻⁶ strain) |
| Sensitivity | 1000×10 ⁻⁶ strain/mm |
| Non-linearity | 1%RO |
| Temperature range | 0~+40°C |
| Input/output resistance | 350Ω |
| Recommended exciting voltage | Less than 2V |
| Allowable exciting voltage | 10V |
| Weight | 42g |

Input/Output cable : φ3mm 0.09mm² 4-core vinyl cable 2m