

LOAD CELLS

CLB-NA Compression Load Cell

50~200N



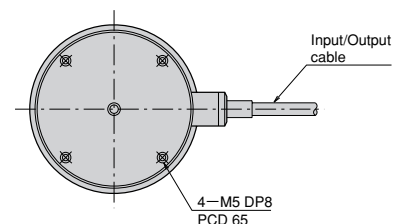
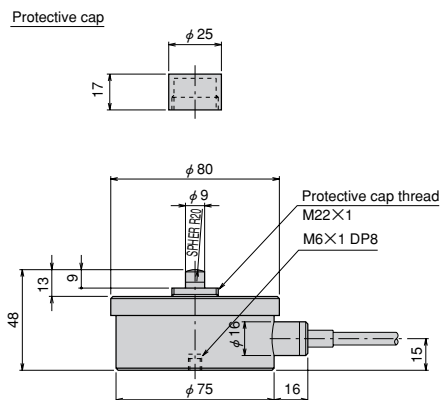
The CLB-NA Load Cell is a low-capacity, compression type load cell. An internal structure with fixed frame for strain generation ensures high precision measurement.

Protection ratings : CLB-50NA IP 40 equivalent
CLB-100NA/-200NA IP 42 equivalent

Specifications

Type	CLB-50NA	CLB-100NA	CLB-200NA
Capacity	50N	100N	200N
Rated Output	1.5mV/V (3000×10 ⁻⁶ strain) ±0.5%		
Non-linearity	0.1%RO		
Hysteresis	0.1%RO		
Temperature effect on zero	0.01%RO/°C		
Temperature effect on span	0.01%/°C		
Compensated temperature range	-10~+60°C		
Temperature range	-20~+70°C		
Over load	150%		
Input/output resistance	350Ω ±2%		
Recommended exciting voltage	Less than 6V		
Allowable exciting voltage	15V		
Zero balance	5%RO		
Weight	0.45kg		0.9kg

Input/Output cable : φ6mm 0.35mm² 4-core shielded chloroprene cable 5m



Fitting accessory

Type	Spherical Cap FA	Mounting Flange FB
CLB-50NA~200NA	FA-20	FB-002-65

CLA-NA Compression Load Cell

500N~20kN



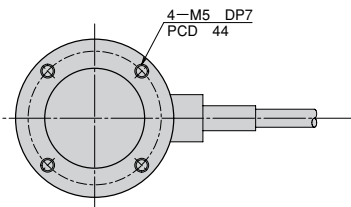
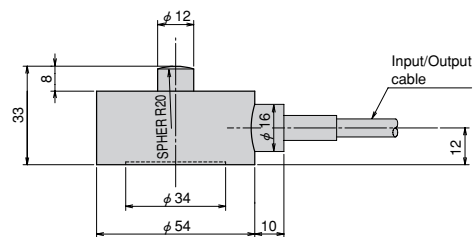
The CLA-NA Load Cell has a diaphragm type strain sensing element. It is compact, easy to operate and can be used to take consistent measurement.

Protection ratings : IP 67 equivalent

Specifications

Type	CLA-500NA	CLA-1KNA	CLA-2KNA	CLA-5KNA	CLA-10KNA	CLA-20KNA
Capacity	500N	1kN	2kN	5kN	10kN	20kN
Rated Output	1.5mV/V (3000×10 ⁻⁶ strain) ±0.5%					
Non-linearity	0.2%RO					
Hysteresis	0.1%RO					
Temperature effect on zero	0.01%RO/°C					
Temperature effect on span	0.01%/°C					
Compensated temperature range	-10~+60°C					
Temperature range	-20~+70°C					
Over load	150%					
Input/output resistance	350Ω ±2%					
Recommended exciting voltage	Less than 6V					
Allowable exciting voltage	15V					
Zero balance	5%RO					
Weight			0.36kg			0.38kg

Input/Output cable : φ6mm 0.35mm² 4-core shielded chloroprene cable 5m



Fitting accessory

Type	Spherical Cap FA	Mounting Flange FB	Slide Support FC
CLA-500NA~20KNA	FA-20	FB-2-44	FC-2-20