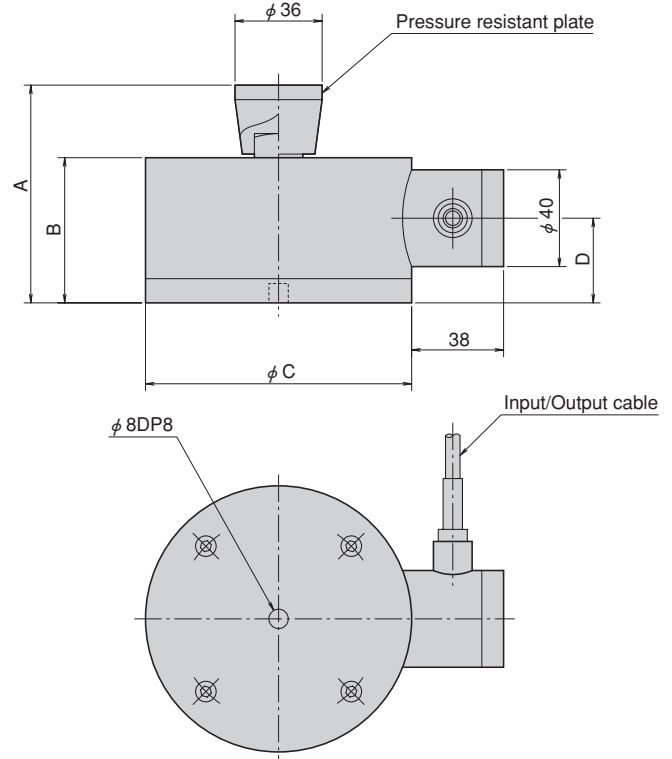


CLJ-NA Compression Load Cell

5~30kN



The CLJ-NA Load Cell is designed considering JIS B 7728 "Load calibration devices for verifying material testing machine" and is the most suitable for verification of single axis compression testing machine. Calibration in accordance with JIS B 7728 is available at extra cost.

Protection ratings : IP 65 equivalent

■ Dimensions

Type	A	B	C	D
CLJ-5KNA	90	60	110	35
CLJ-10KNA	90	60	110	35
CLJ-20KNA	90	60	110	35
CLJ-30KNA	95	65	125	40

■ Specifications

Type	CLJ-5KNA	CLJ-10KNA	CLJ-20KNA	CLJ-30KNA
Capacity	5kN	10kN	20kN	30kN
Rated Output	2mV/V (4000×10 ⁻⁶ strain) or over			
Non-linearity	0.05%RO			
Hysteresis	0.05%RO			
Temperature effect on zero	0.005%RO/°C			
Temperature effect on span	0.005%/°C			
Compensated temperature range	-10~+60°C			
Temperature range	-30~+80°C			
Over load	150%			
Ultimate overload rating	300%			
Input/output resistance	350 Ω ±2%			
Recommended exciting voltage	Less than 6V			
Allowable exciting voltage	15V			
Zero balance	5%RO			
Weight	4kg	4kg	4kg	6kg

Input/Output cable : φ 6mm 0.08mm² 6-core shielded polyurethane cable 5m (Remote sensing compatible)