

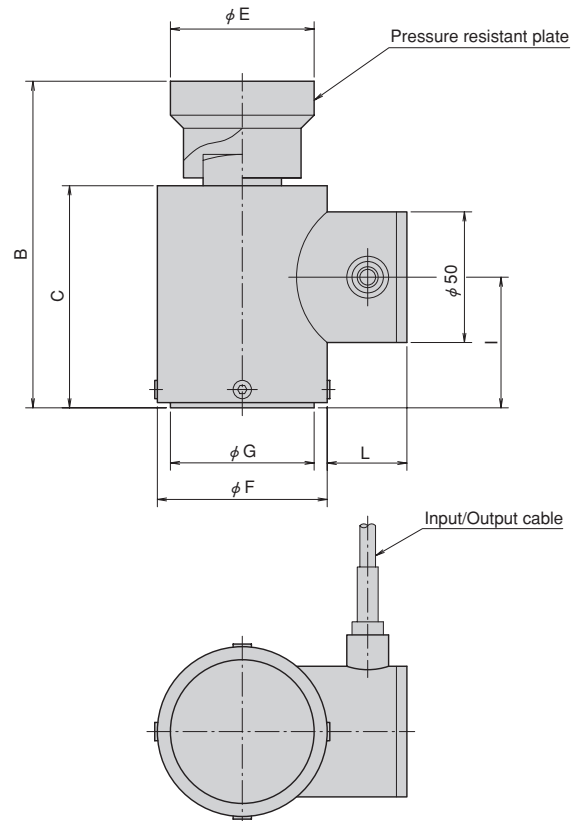
LOAD CELLS

CLJ-NB Compression Load Cell

10kN~10MN



CLJ-10~200KNB



The CLJ-NB Load Cell is designed considering JIS B 7728 "Load calibration devices for verifying material testing machine" and is the most suitable for verification of single axis compression testing machine. Calibration in accordance with JIS B 7728 is available at extra cost.

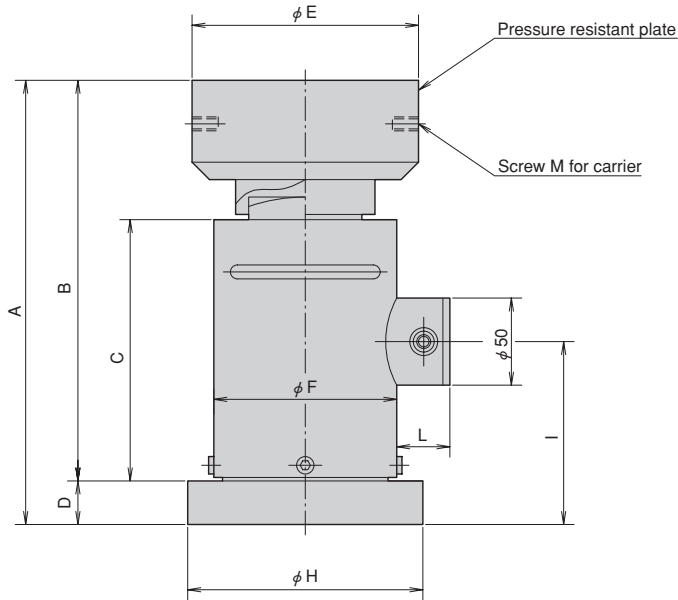
Protection ratings : IP 67 equivalent

Specifications

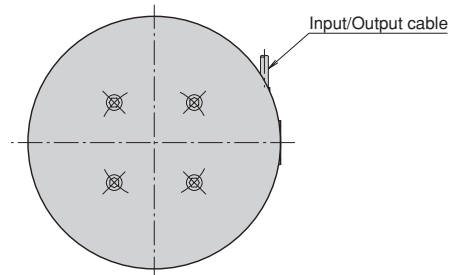
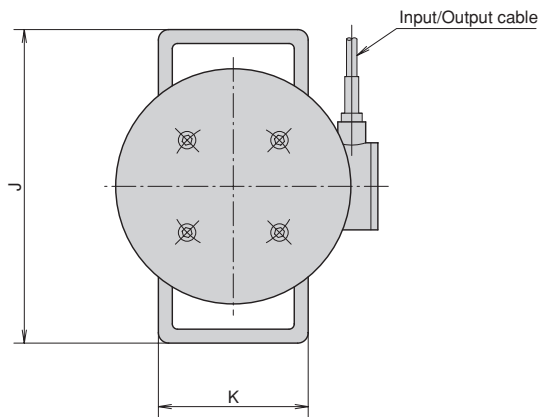
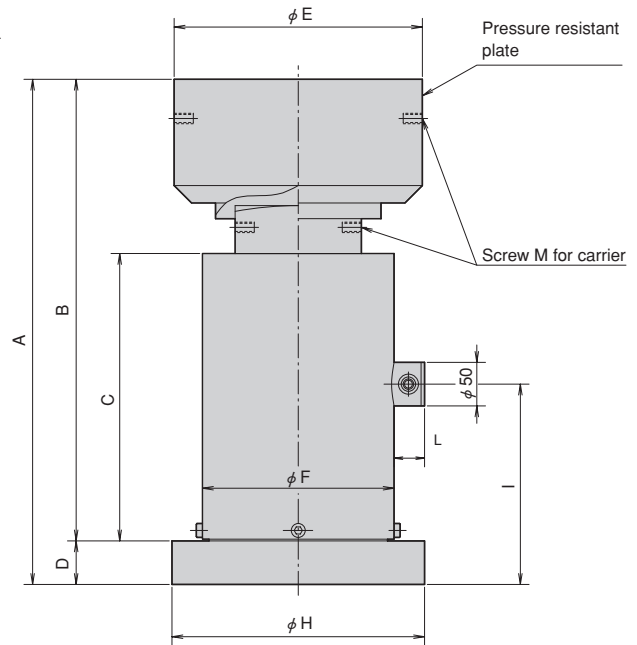
Type	CLJ-10KNB	CLJ-20KNB	CLJ-30KNB	CLJ-50KNB	CLJ-100KNB	CLJ-200KNB	CLJ-300KNB	CLJ-500KNB	CLJ-1MNB	CLJ-2MNB	CLJ-3MNB	CLJ-5MNB	CLJ-10MNB
Capacity	10kN	20kN	30kN	50kN	100kN	200kN	300kN	500kN	1MN	2MN	3MN	5MN	10MN
Rated Output	2mV/V (4000×10 ⁻⁶ strain) or over												
Non-linearity	0.05%RO												
Hysteresis	0.05%RO												
Temperature effect on zero	0.005%RO/°C												
Temperature effect on span	0.005%/°C												
Compensated temperature range	-10~+60°C												
Temperature range	-20~+70°C												
Over load	150%												
Ultimate overload rating	300%												
Input/output resistance	350Ω ±2%												
Recommended exciting voltage	Less than 10V												
Allowable exciting voltage	20V												
Zero balance	5%RO												
Weight	2kg	2kg	2kg	2kg	2kg	2.5kg	5kg	7kg	20kg	45kg	85kg	175kg	470kg

Input/Output cable : CLJ-10KNB~-500KNB : φ6mm 0.08mm² 6-core shielded polyurethane cable 5m (Remote sensing compatible)
 CLJ-1MNB~-10MNB : φ9mm 0.3mm² 6-core shielded vinyl cable 5m (Remote sensing compatible)

CLJ-300KNB~3MNB



CLJ-5MNB/-10MNB



Dimensions

Type	A	B	C	D	E	F	G	H	I	J	K	L	M
CLJ-10KNB	—	110	73	—	40	60	50	—	41	—	—	31	—
CLJ-20KNB	—	110	73	—	40	60	50	—	41	—	—	31	—
CLJ-30KNB	—	110	73	—	40	60	50	—	41	—	—	31	—
CLJ-50KNB	—	110	73	—	40	60	50	—	41	—	—	31	—
CLJ-100KNB	—	110	73	—	40	60	50	—	41	—	—	31	—
CLJ-200KNB	—	125	85	—	55	65	55	—	50	—	—	31	—
CLJ-300KNB	175	160	105	15	80	75	—	80	75	—	—	31	—
CLJ-500KNB	195	180	120	15	90	85	—	95	80	—	—	31	—
CLJ-1MNB	255	230	150	25	130	105	—	135	105	180	86	35	2-M8 DP15
CLJ-2MNB	340	305	200	35	180	130	—	185	145	230	120	35	2-M10 DP18
CLJ-3MNB	420	370	240	50	225	155	—	225	190	255	120	35	2-M12 DP22
CLJ-5MNB	580	530	330	50	285	220	—	290	230	—	—	35	4-M12 DP22
CLJ-10MNB	790	710	425	80	410	270	—	410	325	—	—	35	4-M20 DP30