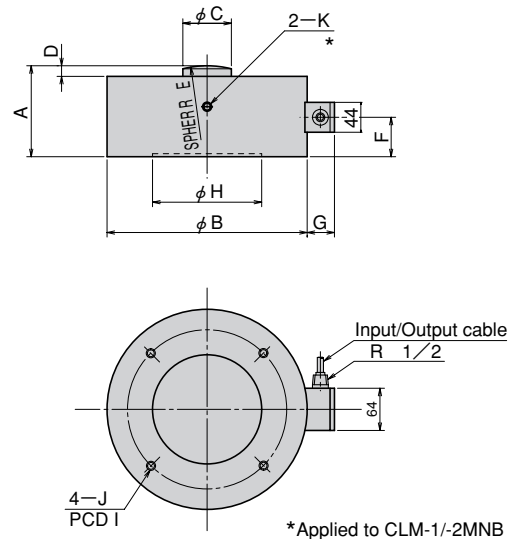


LOAD CELLS

CLM-NB Compression Load Cell

10kN~2MN



The CLM-NB Load Cell is an inert-gas encased load cell in a hermetically sealed package. It offers high precision, high output characteristics and excellent consistency because it uses a shear beam for the strain sensing element. This model is widely used in applications like test equipment.

Protection ratings : IP 65 equivalent

Dimensions

Type	A	B	C	D	E	F	G	H	I	J	K
CLM-10KNB	60	98	22	5	60	27.5	31	64	80	M8 DP10	—
CLM-20KNB	60	98	22	5	60	27.5	31	64	80	M8 DP10	—
CLM-50KNB	60	98	22	5	60	27.5	31	64	80	M8 DP10	—
CLM-100KNB	70	118	24	5	80	32.5	34	68	90	M8 DP10	—
CLM-200KNB	90	157	34	10	100	40	37	86	120	M8 DP15	—
CLM-500KNB	110	187	50	10	140	50	38	110	150	M8 DP15	—
CLM-1MNB	135	300	74	15	160	60	40	166	240	M12 DP15	M12 DP22
CLM-2MNB	170	400	100	15	250	77.5	40	214	320	M16 DP20	M16 DP27

Specifications

Type	CLM-10KNB	CLM-20KNB	CLM-50KNB	CLM-100KNB	CLM-200KNB	CLM-500KNB	CLM-1MNB	CLM-2MNB
Capacity	10kN	20kN	50kN	100kN	200kN	500kN	1MN	2MN
Rated Output	2.5mV/V (5000×10 ⁻⁶ strain) ±0.2%							
Non-linearity	0.03%RO							
Hysteresis	0.03%RO							
Temperature effect on zero	0.002%RO/°C							
Temperature effect on span	0.002%/°C							
Compensated temperature range	-10~+60°C							
Temperature range	-30~+80°C							
Over load	150%							
Input/output resistance	350Ω ±1%							
Recommended exciting voltage	Less than 10V							
Allowable exciting voltage	20V							
Zero balance	5%RO							
Weight	2.5kg	2.5kg	3kg	5kg	11kg	18kg	60kg	130kg

Input/Output cable : φ 9mm 0.5mm² 4-core shielded chloroprene cable 5m

Fitting accessory

Type	Spherical Cap FA	Mounting Flange FB	Slide Support FC
CLM-10KNB~-50KNB	FA-60	FB-5-80	FC-5-60
CLM-100KNB	FA-80	FB-10-90	FC-20-80
CLM-200KNB	FA-100	FB-20-120	FC-20-100
CLM-500KNB	FA-140	FB-50-150	FC-50-140
CLM-1MNB	FA-160	FB-100-240	—
CLM-2MNB	FA-250	FB-200-320	—