

LOAD CELLS

CLP-NB-D Compression Load Cell

30kN~5MN



The CLP-NB-D Load Cell is a CLP-NB type load cell with two isolated I/O ports. One Input/Output cable can be connected to an analog measuring instrument and the other to a digital measuring instrument at the same time with no chance of interference between the two instruments.

Protection ratings : IP 65 equivalent

Specifications

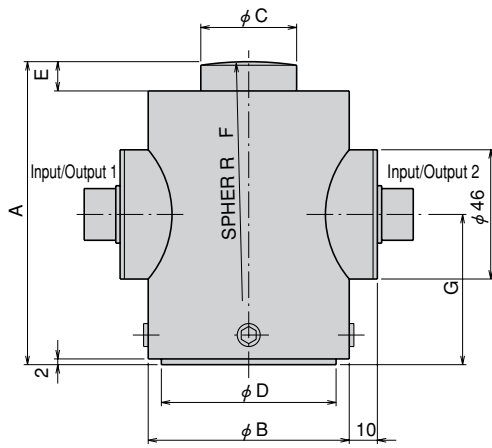
Type	CLP-30KNB-D	CLP-50KNB-D	CLP-100KNB-D	CLP-200KNB-D	CLP-300KNB-D	CLP-500KNB-D	CLP-1MNB-D	CLP-2MNB-D	CLP-3MNB-D	CLP-5MNB-D
Capacity	30kN	50kN	100kN	200kN	300kN	500kN	1MN	2MN	3MN	5MN
Rated Output	1.5mV/V (3000×10 ⁻⁶ strain) ±0.2%									
Non-linearity	0.1%RO									0.2%RO
Hysteresis	0.1%RO									
Temperature effect on zero	0.01%RO/°C									
Temperature effect on span	0.005%/°C									
Compensated temperature range	-10~+60°C									
Temperature range	-20~+70°C									
Over load	150%									
Input/output resistance	350Ω±1%									
Recommended exciting voltage	Less than 10V									
Allowable exciting voltage	20V									
Zero balance	5%RO									
Weight	1.3kg	1.3kg	1.4kg	2.2kg	4.4kg	4.8kg	10kg	24kg	33kg	70kg

Supplied cable : CT9-4N10/WP-STB (φ 9mm 0.5mm² 4-core shielded chloroprene cable 10m)

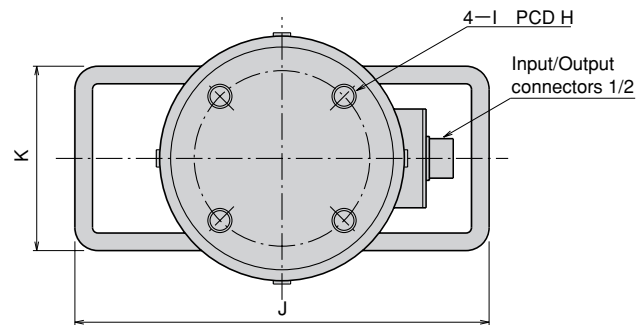
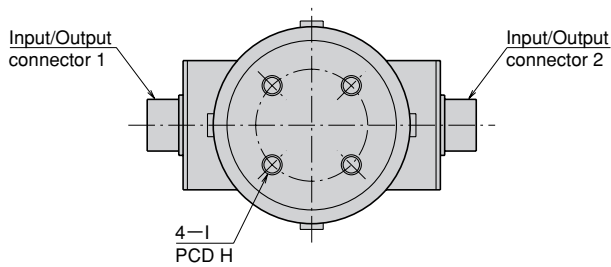
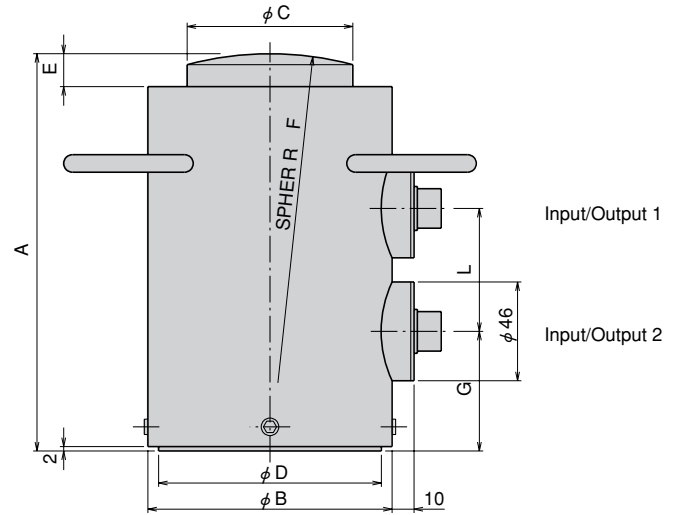
Fitting accessory

Type	Spherical Cap FA	Mounting Flange FB	Slide Support FC
CLP-30KNB-D/-50KNB-D	FA-60	FB-10-30	FC-5-60
CLP-100KNB-D	FA-80	FB-10-30	FC-20-80
CLP-200KNB-D	FA-100	FB-20-40	FC-20-100
CLP-300KNB-D/-500KNB-D	FA-140	FB-50-60	FC-50-140
CLP-1MNB-D	FA-160	FB-100-80	—
CLP-2MNB-D	FA-250	FB-200-100	—
CLP-3MNB-D	FA-360	FB-300-120	—
CLP-5MNB-D	FA-360B	FB-500-140	—

CLP-30~500KNB-D



CLP-1~5MNB-D



Dimensions

Type	A	B	C	D	E	F	G	H	I	J	K	L
CLP-30KNB-D	80	60	22	50	8	60	40	30	M8 DP10	—	—	—
CLP-50KNB-D	80	60	22	50	8	60	40	30	M8 DP10	—	—	—
CLP-100KNB-D	80	60	24	50	8	80	40	30	M8 DP10	—	—	—
CLP-200KNB-D	105	70	34	60	10	100	52	40	M8 DP10	—	—	—
CLP-300KNB-D	145	90	50	80	15	140	72	60	M8 DP15	—	—	—
CLP-500KNB-D	145	90	50	80	15	140	72	60	M8 DP15	—	—	—
CLP-1MNB-D	180	110	74	100	15	160	54	80	M12 DP15	186	86	56
CLP-2MNB-D	230	140	100	130	15	250	59	100	M16 DP18	240	120	56
CLP-3MNB-D	275	160	120	150	15	360	85	120	M16 DP18	260	120	60
CLP-5MNB-D	345	200	155	185	20	360	105	140	M20 DP25	300	120	60