

LOAD CELLS

CLP-NB Compression Load Cell

10kN~10MN



The CLP-NB Load Cell has a column type strain sensing element. With a full line of products with capacities ranging from 10kN to 10MN, customers can select a model for any load level.

Protection ratings : IP 65 equivalent

Specifications

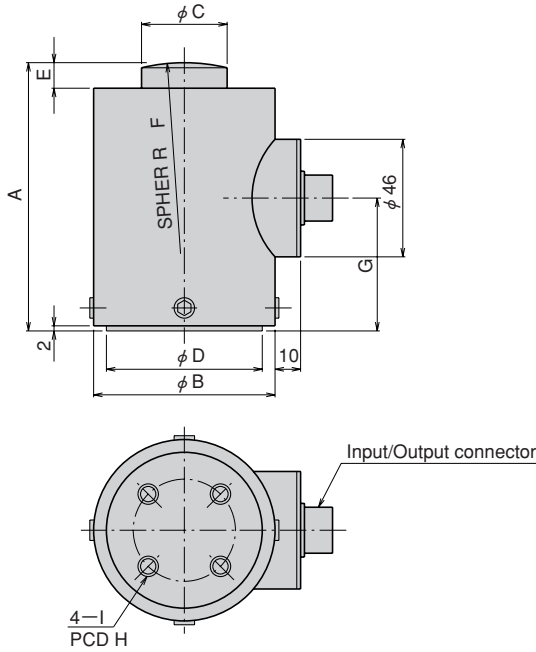
Type	CLP-10KNB	CLP-20KNB	CLP-30KNB	CLP-50KNB	CLP-100KNB	CLP-200KNB	CLP-300KNB	CLP-500KNB	CLP-1MNB	CLP-2MNB	CLP-3MNB	CLP-5MNB	CLP-10MNB
Capacity	10kN	20kN	30kN	50kN	100kN	200kN	300kN	500kN	1MN	2MN	3MN	5MN	10MN
Rated Output	1.5mV/V (3000×10 ⁻⁶ strain) ±0.2%												
Non-linearity	0.1%RO											0.2%RO	
Hysteresis	0.1%RO												
Temperature effect on zero	0.01%RO/°C												
Temperature effect on span	0.005%/°C												
Compensated temperature range	-10~+60°C												
Temperature range	-20~+70°C												
Over load	150%												
Input/output resistance	350Ω ±1%												
Recommended exciting voltage	Less than 10V												
Allowable exciting voltage	20V												
Zero balance	5%RO												
Weight	1.1kg	1.1kg	1.1kg	1.1kg	1.2kg	2.0kg	4.2kg	4.6kg	10kg	24kg	33kg	70kg	190kg

Supplied cable : CT9-4N10/WP-STB (φ9mm 0.5mm² 4-core shielded chloroprene cable 10m)

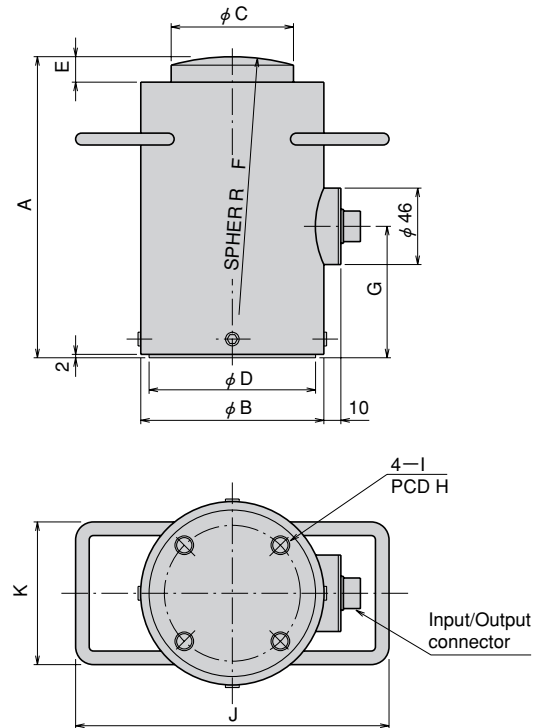
Fitting accessory

Type	Spherical Cap FA	Mounting Flange FB	Slide Support FC
CLP-10KNB~-50KNB	FA-60	FB-10-30	FC-5-60
CLP-100KNB	FA-80	FB-10-30	FC-20-80
CLP-200KNB	FA-100	FB-20-40	FC-20-100
CLP-300KNB/-500KNB	FA-140	FB-50-60	FC-50-140
CLP-1MNB	FA-160	FB-100-80	—
CLP-2MNB	FA-250	FB-200-100	—
CLP-3MNB	FA-360	FB-300-120	—
CLP-5MNB	FA-360B	FB-500-140	—
CLP-10MNB	FA-720	FB-1000-200	—

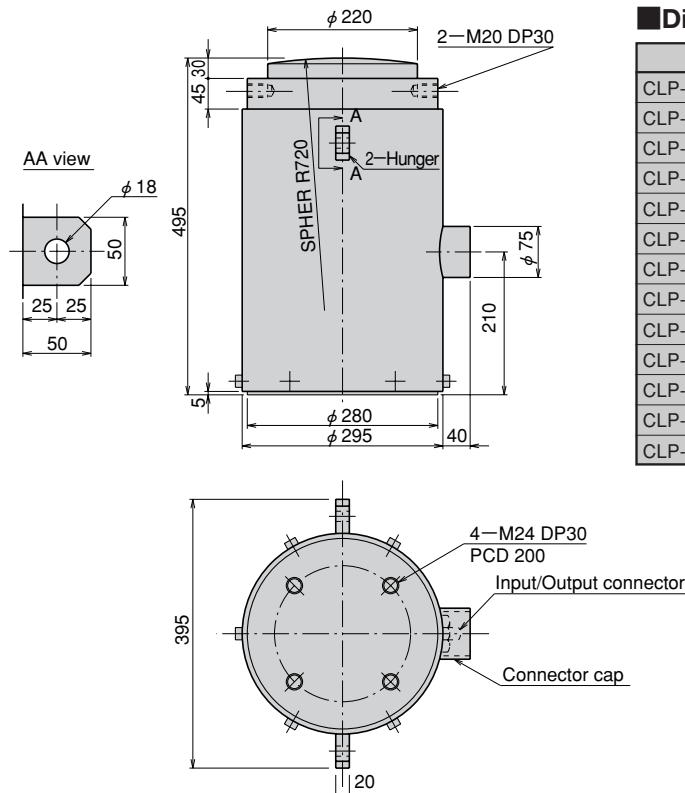
CLP-10~500KNB



CLP-1~5MNB



CLP-10MNB



■ Dimensions

Type	A	B	C	D	E	F	G	H	I	J	K
CLP-10KNB	80	60	22	50	8	60	40	30	M 8 DP10	—	—
CLP-20KNB	80	60	22	50	8	60	40	30	M 8 DP10	—	—
CLP-30KNB	80	60	22	50	8	60	40	30	M 8 DP10	—	—
CLP-50KNB	80	60	22	50	8	60	40	30	M 8 DP10	—	—
CLP-100KNB	80	60	24	50	8	80	40	30	M 8 DP10	—	—
CLP-200KNB	105	70	34	60	10	100	52	40	M 8 DP10	—	—
CLP-300KNB	145	90	50	80	15	140	72	60	M 8 DP15	—	—
CLP-500KNB	145	90	50	80	15	140	72	60	M 8 DP15	—	—
CLP-1MNB	180	110	74	100	15	160	80	80	M12 DP15	186	86
CLP-2MNB	230	140	100	130	15	250	100	100	M16 DP18	240	120
CLP-3MNB	275	160	120	150	15	360	135	120	M16 DP18	260	120
CLP-5MNB	345	200	155	185	20	360	165	140	M20 DP25	300	120
CLP-10MNB	As per the figures										