

CLU-NA-D Compression Load Cell

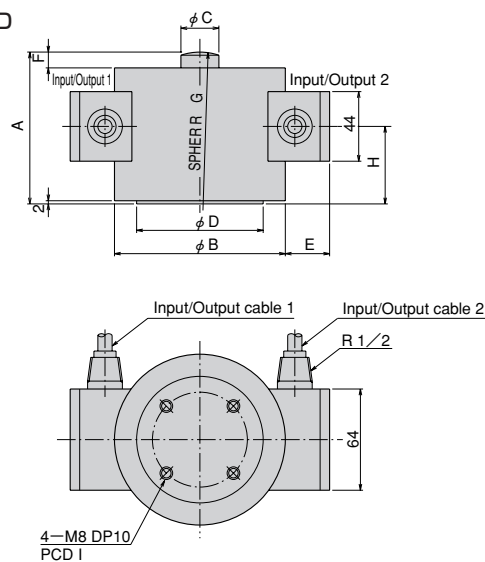
100kN~1MN



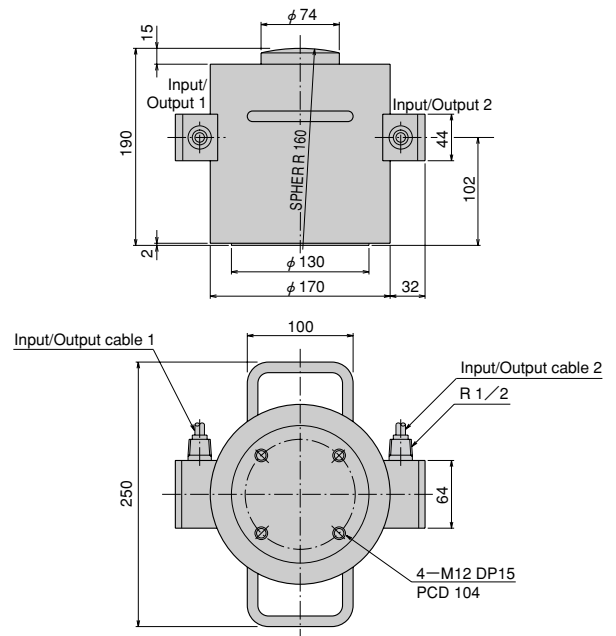
The CLU-NA-D Load Cell is a CLU-NA type load cell with two isolated I/O ports. One Input/Output cable can be connected to an analog measuring instrument and the other to a digital measuring instrument at the same time with no chance of interference between the two instruments.

Protection ratings : IP 65 equivalent

CLU-100~500KNA-D



CLU-1MNA-D



Specifications

Type	CLU-100KNA-D	CLU-200KNA-D	CLU-500KNA-D	CLU-1MNA-D
Capacity	100kN	200kN	500kN	1MN
Rated Output	2mV/V (4000×10 ⁻⁶ strain) ±0.2%			
Non-linearity	0.15%RO			
Hysteresis	0.05%RO			
Temperature effect on zero	0.005%RO/°C			
Temperature effect on span	0.005%/°C			
Compensated temperature range	-10~+60°C			
Temperature range	-30~+80°C			
Over load	150%			
Input/output resistance	350Ω ±1%			
Recommended exciting voltage	Less than 10V			
Allowable exciting voltage	20V			
Zero balance	5%RO			
Weight	3.5kg	4.6kg	11kg	16kg

Input/Output cable : φ 9mm 0.5mm² 4-core shielded chloroprene cable 5m

Dimensions

Type	A	B	C	D	E	F	G	H	I
CLU-100KNA-D	96	108	24	80	28	10	80	49	60
CLU-200KNA-D	114	118	34	90	29	12	100	57	70
CLU-500KNA-D	158	160	50	120	31	15	140	82	100
CLU-1MNA-D	As per the figures								

Fitting accessory

Type	Spherical Cap FA	Mounting Flange FB	Slide Support FC
CLU-100KNA-D	FA-80	FB-10-60	FC-20-80
CLU-200KNA-D	FA-100	FB-20-70	FC-20-100
CLU-500KNA-D	FA-140	FB-50-100	FC-50-140
CLU-1MNA-D	FA-160	FB-100-104	—