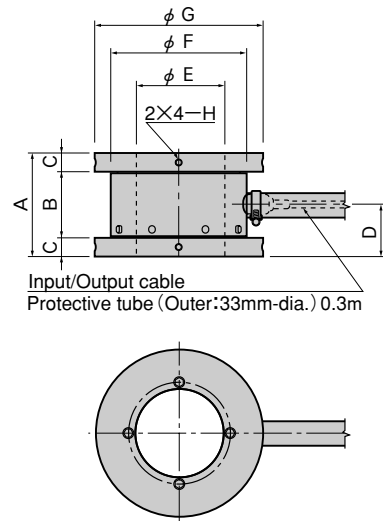


LOAD CELLS

KCC-NA Center-hole type Compression Load Cell 200kN~1MN



■ Dimensions

Type	A	B	C	D	E	F	G	H
KCC-200KNA	108	68	20	54	90	145	190	—
KCC-500KNA	140	90	25	70	120	185	230	M8 DP20
KCC-1MNA	183	123	30	92	140	220	250	M12 DP20

The KCC-NA Load Cell is a center-hole-type load cell with flanges. The large diameter of its center hole makes this load cell suitable for use in almost all anchoring methods. It can deliver stable measurement performance under a relatively high eccentric load.

Protection ratings : IP 67 equivalent

■ Specifications

Type	KCC-200KNA	KCC-500KNA	KCC-1MNA
Capacity	200kN	500kN	1MN
Rated Output	1mV/V (2000×10 ⁻⁶ strain) ±10%		
Non-linearity	1%RO		
Hysteresis	1%RO		
Temperature effect on zero	0.1%RO/°C		
Temperature effect on span	0.05%/°C		
Compensated temperature range	-10~+60°C		
Temperature range	-20~+70°C		
Over load	120%		
Input/output resistance	350Ω ±1%		
Recommended exciting voltage	Less than 10V		
Allowable exciting voltage	20V		
Zero balance	5%RO		
Weight	13kg	20kg	32kg

Input/output cable : φ9mm 0.5mm² 4-core shielded chloroprene cable 5m

Hole diameter vs. capacity and type

Type	Capacity									
	50kN	100kN	200kN	300kN	500kN	1MN	1.5MN	2MN	3MN	5MN
KCC-NA			90		120	140				
KCE-NA					82	90	110	140		
KCM-NA	15	20	30	35	40	60		90	115	150
CLC-NA	15	20	30	35	40	60		90	115	150

Hole diameter in mm

