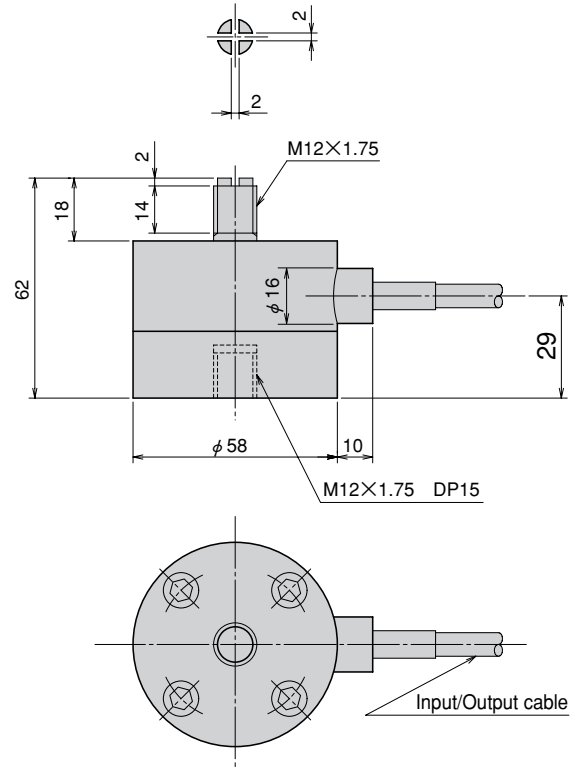


TCLA-NA Tension/Compression Universal Load Cell 500N~5kN



The TCLA-NA Tension/Compression Universal Load Cell is a load cell that can be used for consistent measurement because it is hermetically sealed and has a strain sensing element with a simple internal structure.

Protection ratings : IP 67 equivalent

Specifications

Type	TCLA-500NA	TCLA-1KNA	TCLA-2KNA	TCLA-5KNA
Capacity	500N	1kN	2kN	5kN
Rated Output	1.5mV/V (3000×10 ⁻⁶ strain) ±2%			
Non-linearity	0.3%RO	0.2%RO		
Hysteresis	0.1%RO			
Temperature effect on zero	0.01%RO/°C			
Temperature effect on span	0.01%/°C			
Compensated temperature range	-10~+60°C			
Temperature range	-20~+70°C			
Over load	150%			
Input/output resistance	350Ω±2%			
Recommended exciting voltage	Less than 6V			
Allowable exciting voltage	15V			
Zero balance	5%RO			
Weight	1.0kg			

Input/Output cable : φ6mm 0.35mm² 4-core shielded chloroprene cable 5m

Fitting accessory

Type	Rotary attachment FD	Rod End FE
TCLA-500NA ~ 5KNA	FD-05B	FE-05A/FE-05B