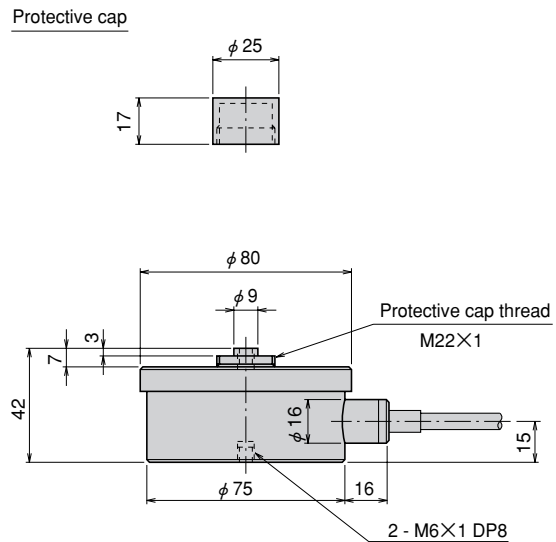


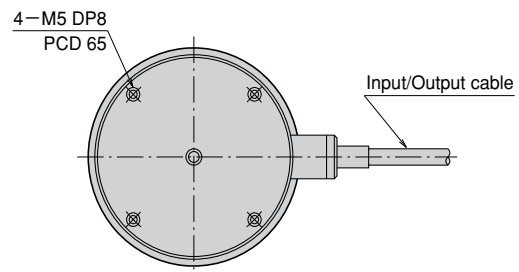
LOAD CELLS

TCLB-NA Tension/Compression Universal Load Cell 50~200N



The TCLB-NA Tension/Compression Universal Load Cell is a low capacity load cell. It can be used for high precision measurement because the internal structure uses both ends fixation beam for the strain sensing element.

Protection ratings :
 TCLB-50NA IP 40 equivalent
 TCLB-100NA/200NA IP 42 equivalent



Specifications

Type	TCLB-50NA	TCLB-100NA	TCLB-200NA
Capacity	50N	100N	200N
Rated Output	1.5mV/V (3000×10 ⁻⁶ strain) ±0.5%		
Non-linearity	0.1%RO		
Hysteresis	0.1%RO		
Temperature effect on zero	0.01%RO/°C		
Temperature effect on span	0.01%/°C		
Compensated temperature range	-10~+60°C		
Temperature range	-20~+70°C		
Over load	150%		
Input/output resistance	350Ω ±2%		
Recommended exciting voltage	Less than 6V		
Allowable exciting voltage	15V		
Zero balance	5%RO		
Weight	0.45kg		0.9kg

Input/Output cable : φ6mm 0.35mm² 4-core shielded chloroprene cable 5m

Fitting accessory

Type	Spherical Cap FA	Mounting Flange FB	Rotary attachment FD	Rod End FE	Load Button FG
TCLB-50NA ~ 200NA	FA-20	FB-002-65	FD-002	FE-002A	FG-002