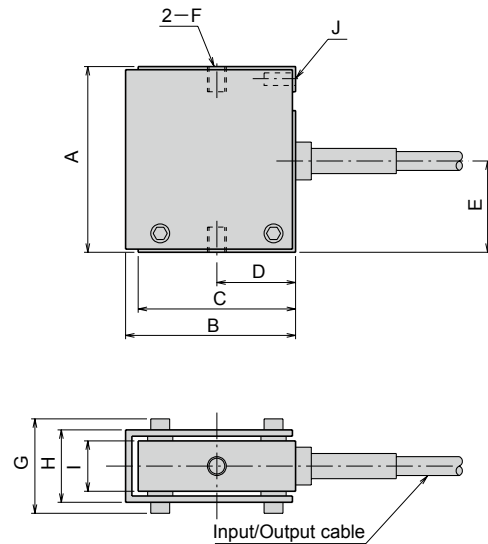


LOAD CELLS

TCLZ-NA Tension/Compression Universal Load Cell 10N~10kN



The TCLZ-NA Tension/Compression Universal Load Cell is a high precision load cell that is compact and light weight. With its beam type internal structure, it is widely used as a sensor for controlling industrial machinery.

Protection ratings : IP 41 equivalent

■ Dimensions

Type	A	B	C	D	E	F	G	H	I	J
TCLZ-10NA	59	84	80	40	29.5	M6×1 DP8	28	21	14	φ4mm DP10
TCLZ-20NA	59	84	80	40	29.5	M6×1 DP8	28	21	14	φ4mm DP10
TCLZ-50NA	59	54	50	25	29.5	M6×1 DP8	30	23	16	φ4mm DP10
TCLZ-100NA	59	54	50	25	29.5	M6×1 DP8	30	23	16	φ4mm DP10
TCLZ-200NA	59	54	50	25	29.5	M6×1 DP8	30	23	16	φ4mm DP10
TCLZ-500NA	67	54	50	25	33.5	M12×1.75 DP12	34	27	20	φ6mm DP12
TCLZ-1KNA	67	54	50	25	33.5	M12×1.75 DP12	34	27	20	φ6mm DP12
TCLZ-2KNA	67	54	50	25	33.5	M12×1.75 DP12	34	27	20	φ6mm DP12
TCLZ-5KNA	75	60	56	28	37.5	M12×1.75 DP14	34	27	20	φ6mm DP12
TCLZ-10KNA	75	60	56	28	37.5	M12×1.75 DP14	34	27	20	φ6mm DP12

■ Specifications

Type	TCLZ -10NA <small>NEW</small>	TCLZ -20NA <small>NEW</small>	TCLZ -50NA	TCLZ -100NA	TCLZ -200NA	TCLZ -500NA	TCLZ -1KNA	TCLZ -2KNA	TCLZ -5KNA	TCLZ -10KNA
Capacity	10N	20N	50N	100N	200N	500N	1kN	2kN	5kN	10kN
Rated Output	1mV/V (2000×10 ⁻⁶ strain) ± 0.5%		1.5mV/V (3000×10 ⁻⁶ strain) ±0.5%			2mV/V (4000×10 ⁻⁶ strain) ±0.5%				
Non-linearity	0.05% RO					0.03% RO				0.05% RO
Hysteresis	0.05% RO					0.03% RO				0.05% RO
Temperature effect on zero	0.01% RO/°C					0.005% RO/°C				
Temperature effect on span						0.005%/°C				
Compensated temperature range						-10 ~ +60°C				
Temperature range						-20 ~ +70°C				
Over load						150%				
Input/output resistance						350Ω±1%				
Recommended exciting voltage						6V以下				
Allowable exciting voltage						15V				
Zero balance						5%RO				
Input/Output cable	Φ3mm 0.05mm ² 4-core shielded chloroprene cable 5m			Φ6mm 0.35mm ² 4-core shielded chloroprene cable 5m						
Weight	0.2kg	0.2kg	0.1kg	0.1kg	0.1kg	0.4kg	0.4kg	0.4kg	0.6kg	0.6kg

■ Fitting accessory

Type	Rotary attachment FD	Rod End FE	Eye Bolt FF	Load Button FG	Shackle FH
TCLZ-10NA ~ 200NA	FD-002	FE-002A	—	FG-002	—
TCLZ-500NA ~ 5KNA	FD-05A	FE-05A	FF-1	FG-05	FH-1B
TCLZ-10KN A	FD-1	FE-1A	FF-1	FG-05	FH-1B