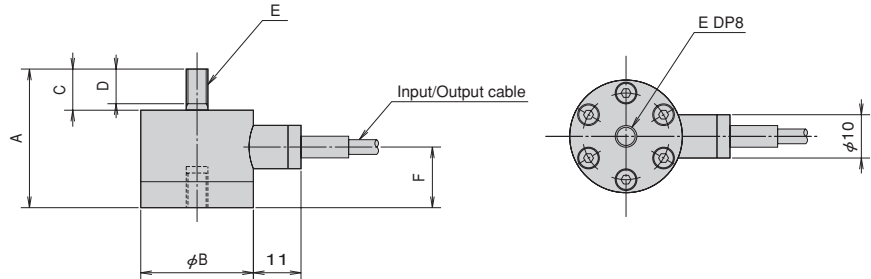


TCLN-NA Tension/Compression Universal Load Cell 500N~5kN



Compared with TML ordinary Tension/Compression Universal Load Cells, the TCLN-NA is very small and light model. The Input/Output cable is as thin as 3mm in diameter for easiness to handle.

Protection ratings : IP 67 equivalent



Specifications

Type	TCLN-500NA	TCLN-1KNA	TCLN-2KNA	TCLN-5KNA
Capacity	500N	1kN	2kN	5kN
Rated Output	1mV/V (2000×10 ⁻⁶ strain) ±20%			
Non-linearity	0.5%RO			
Hysteresis	0.1%RO			
Temperature effect on zero	0.05%RO/°C			
Temperature effect on span	0.05%/°C			
Compensated temperature range	-10~+60°C			
Temperature range	-20~+70°C			
Over load	150%			
Input/output resistance	350Ω ±2%			
Recommended exciting voltage	Less than 6V			
Allowable exciting voltage	15V			
Zero balance	10%RO			
Weight	80g	80g	80g	140g

Input/Output cable : φ 3mm 0.05mm² 4-core shielded chloroprene cable 5m

Dimensions

Type	A	B	C	D	E	F
TCLN-500NA	32	26	9.5	8	M5 x 0.8	14
TCLN-1KNA	32	26	9.5	8	M5 x 0.8	14
TCLN-2KNA	32	26	9.5	8	M5 x 0.8	14
TCLN-5KNA	42	32	14	12	M8 x 1.25	15

Fitting accessory

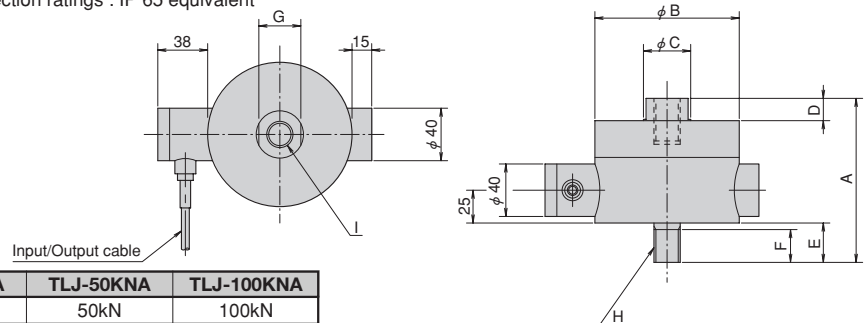
Type	Rod End FE
TCLN-500NA ~ -2KNA	FE-002C / FE-002D
TCLN-5KNA	FE-05C / FE-05D

TLJ-NA Tension Load Cell 10~100kN



The TLJ-NA Tension Load Cell is designed considering JIS B 7728 "Load calibration devices for verifying material testing machine" and is the most suitable for verification of single axis tension testing machine. Calibration in accordance with JIS B 7728 is available at extra cost.

Protection ratings : IP 65 equivalent



Specifications

Type	TLJ-10KNA	TLJ-20KNA	TLJ-50KNA	TLJ-100KNA
Capacity	10kN	20kN	50kN	100kN
Rated Output	2mV/V (4000×10 ⁻⁶ strain) or over			
Non-linearity	0.03%RO			
Hysteresis	0.03%RO			
Temperature effect on zero	0.005%RO/°C			
Temperature effect on span	0.005%/°C			
Compensated temperature range	-10~+60°C			
Temperature range	-30~+80°C			
Over load	120%			
Ultimate overload rating	200%			
Input/output resistance	350Ω ±2%			
Recommended exciting voltage	Less than 6V			
Allowable exciting voltage	15V			
Zero balance	5%RO			
Weight	5.3kg	5.3kg	6.9kg	10kg

Input/Output cable : φ 6mm 0.08mm² 6-core shielded polyurethane cable 5m Remote sensing compatible)

Dimensions

Type	A	B	C	D	E	F	G	H	I
TLJ-10KNA	125	110	36	17	30	25	32	M20x1.5	M20 x 1.5 DP35
TLJ-20KNA	125	110	36	17	30	25	32	M20x1.5	M20 x 1.5 DP35
TLJ-50KNA	132	125	36	17	35	30	32	M20x1.5	M20 x 1.5 DP35
TLJ-100KNA	142	145	42	17	40	34	36	M24 x 2	M24 x 2 DP35

Fitting accessory

Type	Rod End FE
TLJ-10KNA ~ -50KNA	FE-5C / FE-5D
TLJ-100KNA	FE-5A / FE-5B