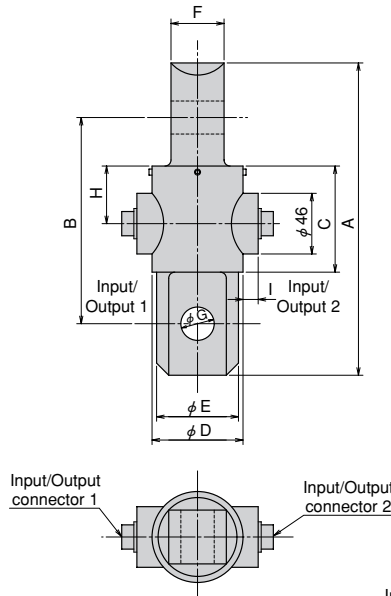


TLP-NB-D Tension Load Cell

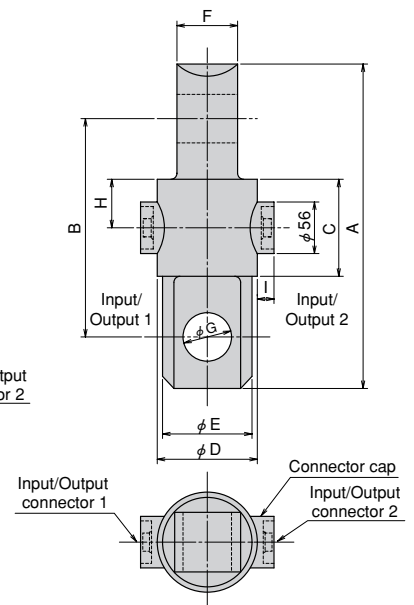
20kN~1MN



TLP-20~50KNB-D



TLP-100KNB-D~1MNB-D



The TLP-NB-D Tension Load Cell is a TLP-NB type tension load cell with two isolated I/O ports. One Input/Output cable can be connected to an analog measuring instrument and the other to a digital measuring instrument at the same time with no chance of interference between the two instruments.

Protection ratings : IP 65 equivalent

Dimensions

Type	A	B	C	D	E	F	G	H	I
TLP-20KNB-D	164	122	71	50	40	25	22	40	10
TLP-30KNB-D	179	127	63	60	50	30	27	34	10
TLP-50KNB-D	234	168	80	70	60	40	37	44	10
TLP-100KNB-D	292	200	86	95	85	56	49	47	35
TLP-200KNB-D	358	244	108	112	100	68	54	56	35
TLP-300KNB-D	428	288	128	135	120	75	64	64	35
TLP-500KNB-D	508	342	148	160	145	98	75	74	35
TLP-1MNB-D	690	450	210	210	195	130	102	105	35

Fitting accessory

Type	Shackle FH
TLP-20KNB-D	FH-2B
TLP-30KNB-D	FH-3B
TLP-50KNB-D	FH-5B
TLP-100KNB-D	FH-10B
TLP-200KNB-D	FH-20B
TLP-300KNB-D	FH-30B
TLP-500KNB-D	FH-50B
TLP-1MNB-D	FH-100B

Specifications

Type	TLP-20KNB-D	TLP-30KNB-D	TLP-50KNB-D	TLP-100KNB-D	TLP-200KNB-D	TLP-300KNB-D	TLP-500KNB-D	TLP-1MNB-D
Capacity	20kN	30kN	50kN	100kN	200kN	300kN	500kN	1MN
Rated Output	1mV/V (2000×10 ⁻⁶ strain) ±0.5%							
Non-linearity	0.1%RO							
Hysteresis	0.1%RO							
Temperature effect on zero	0.01%RO/°C							
Temperature effect on span	0.005%/°C							
Compensated temperature range	-10~+60°C							
Temperature range	-20~+70°C							
Over load	200%							
Input/output resistance	350Ω ±1%							
Recommended exciting voltage	Less than 10V							
Allowable exciting voltage	20V							
Zero balance	5%RO							
Weight	1.5kg	2kg	4kg	8kg	14kg	24kg	38kg	110kg

Supplied cable : CT9-4N10/WP-STB (φ 9mm 0.5mm² 4-core shielded chloroprene cable 10m)