

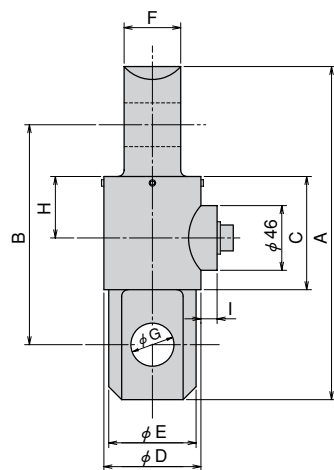
LOAD CELLS

TLP-NB Tension Load Cell

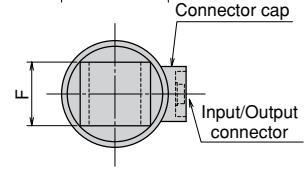
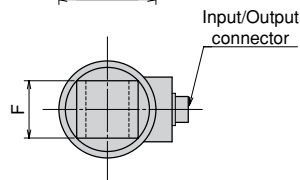
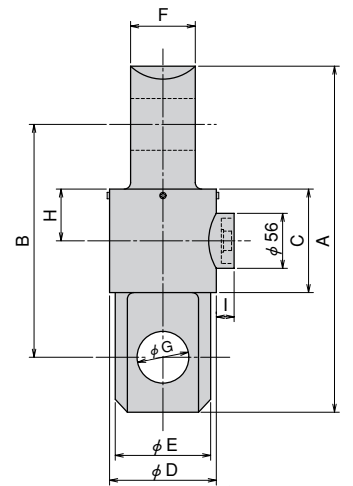
10kN~1MN



TLP-10~50KNB



TLP-100KNB~1MNB



The TLP-NB Tension Load Cell is a tension-only load cell that is used primarily in applications such as measuring tension on wire rope or loads suspended from cranes. Eyebolts integrated into the main unit facilitate mounting simply by attaching shackles.

Protection ratings : IP 65 equivalent

Dimensions

Type	A	B	C	D	E	F	G	H	I
TLP-10KNB	140	110	69	50	32	20	18	39	10
TLP-20KNB	164	122	71	50	40	25	22	40	10
TLP-30KNB	179	127	63	60	50	30	27	34	10
TLP-50KNB	234	168	80	70	60	40	37	44	10
TLP-100KNB	292	200	86	95	85	56	49	47	35
TLP-200KNB	358	244	108	112	100	68	54	56	35
TLP-300KNB	428	288	128	135	120	75	64	64	35
TLP-500KNB	508	342	148	160	145	98	75	74	35
TLP-1MNB	690	450	210	210	195	130	102	105	35

Fitting accessory

Type	Shackle FH
TLP-10KNB	FH-1B
TLP-20KNB	FH-2B
TLP-30KNB	FH-3B
TLP-50KNB	FH-5B
TLP-100KNB	FH-10B
TLP-200KNB	FH-20B
TLP-300KNB	FH-30B
TLP-500KNB	FH-50B
TLP-1MNB	FH-100B

Specifications

Type	TLP-10KNB	TLP-20KNB	TLP-30KNB	TLP-50KNB	TLP-100KNB	TLP-200KNB	TLP-300KNB	TLP-500KNB	TLP-1MNB
Capacity	10kN	20kN	30kN	50kN	100kN	200kN	300kN	500kN	1MN
Rated Output	1mV/V (2000×10 ⁻⁶ strain) ±0.5%								
Non-linearity	0.1%RO								
Hysteresis	0.1%RO								
Temperature effect on zero	0.01%RO/°C								
Temperature effect on span	0.005%/°C								
Compensated temperature range	-10~+60°C								
Temperature range	-20~+70°C								
Over load	200%								
Input/output resistance	350Ω±1%								
Recommended exciting voltage	Less than 10V								
Allowable exciting voltage	20V								
Zero balance	5%RO								
Weight	1kg	1.5kg	2kg	4kg	8kg	14kg	24kg	38kg	110kg

Supplied cable : CT9-4N10/WP-STB (φ9mm 0.5mm² 4-core shielded chloroprene cable 10m)