

LOAD CELLS

CLF-NA Compression Load Cell

500kN~2MN



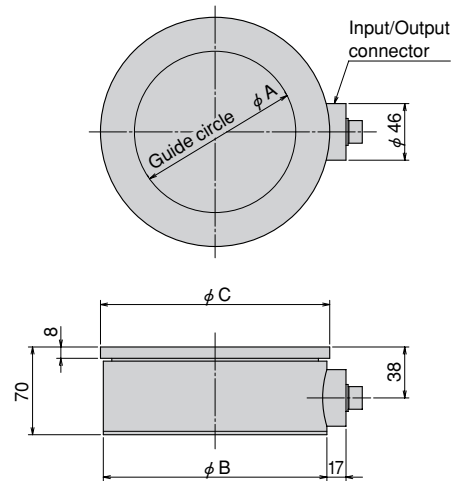
The CLF-NA Load Cell is a thin load cell with a flat load bearing surface. It is widely used as a load sensor for industrial machinery, especially when measuring loads on rolling machines or measuring compression force on presses.

Protection ratings : IP 65 equivalent

Specifications

Type	CLF-500KNA	CLF-1MNA	CLF-1.5MNA	CLF-2MNA
Capacity	500kN	1MN	1.5MN	2MN
Rated Output	2mV/V (4000×10 ⁻⁶ strain) ±0.5%			
Non-linearity	0.3%RO			
Hysteresis	0.2%RO			
Temperature effect on zero	0.01%RO/°C			
Temperature effect on span	0.005%/°C			
Compensated temperature range	-10~+60°C			
Temperature range	-20~+70°C			
Over load	150%			
Input/output resistance	350 Ω ±5%			
Recommended exciting voltage	Less than 10V			
Allowable exciting voltage	20V			
Zero balance	5%RO			
Weight	6kg	8kg	10kg	13kg

Supplied cable : CT9-4N10/WP-STB (φ 9mm 0.5mm² 4-core shielded chloroprene cable 10m)



● Force should be applied uniformly to the surface including guide circle.

Dimensions

Type	A	B	C
CLF-500KNA	95	140	145
CLF-1MNA	130	180	185
CLF-1.5MNA	150	200	205
CLF-2MNA	170	220	225

CLF-NA Compression Load Cell

3~10MN



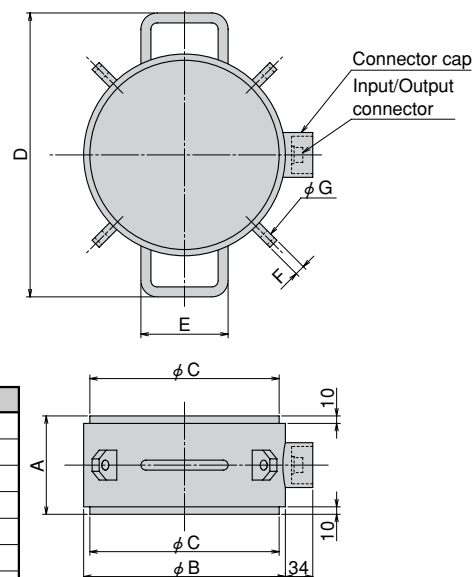
The CLF-NA Load Cell is a thin load cell with a flat load bearing surface. It is widely used as a load sensor for industrial machinery, especially when measuring loads on rolling machines or measuring compression force on presses.

Protection ratings : IP 65 equivalent

Specifications

Type	CLF-3MNA	CLF-5MNA	CLF-10MNA
Capacity	3MN	5MN	10MN
Rated Output	1.5mV/V (3000×10 ⁻⁶ strain) ±0.5%		
Non-linearity	0.3%RO		
Hysteresis	0.2%RO		
Temperature effect on zero	0.01%RO/°C		
Temperature effect on span	0.005%/°C		
Compensated temperature range	-10~+60°C		
Temperature range	-20~+70°C		
Over load	150%		
Input/output resistance	350 Ω ±5%		
Recommended exciting voltage	Less than 10V		
Allowable exciting voltage	20V		
Zero balance	5%RO		
Weight	40kg	66kg	150kg

Supplied cable : CT9-4N10/WP-STB (φ 9mm 0.5mm² 4-core shielded chloroprene cable 10m)



● Force should be applied uniformly to the surface including guide circle.

Dimensions

Type	A	B	C	D	E	F	G
CLF-3MNA	125	255	240	355	110	13	11
CLF-5MNA	135	320	300	430	120	16	13
CLF-10MNA	170	415	390	555	130	27	22