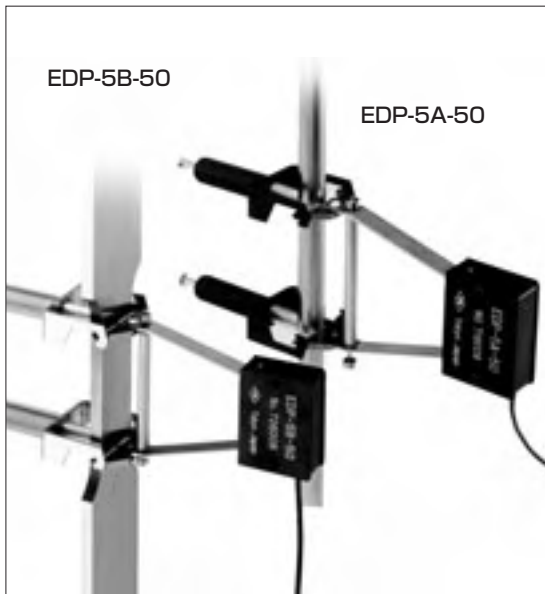


DISPLACEMENT TRANSDUCERS

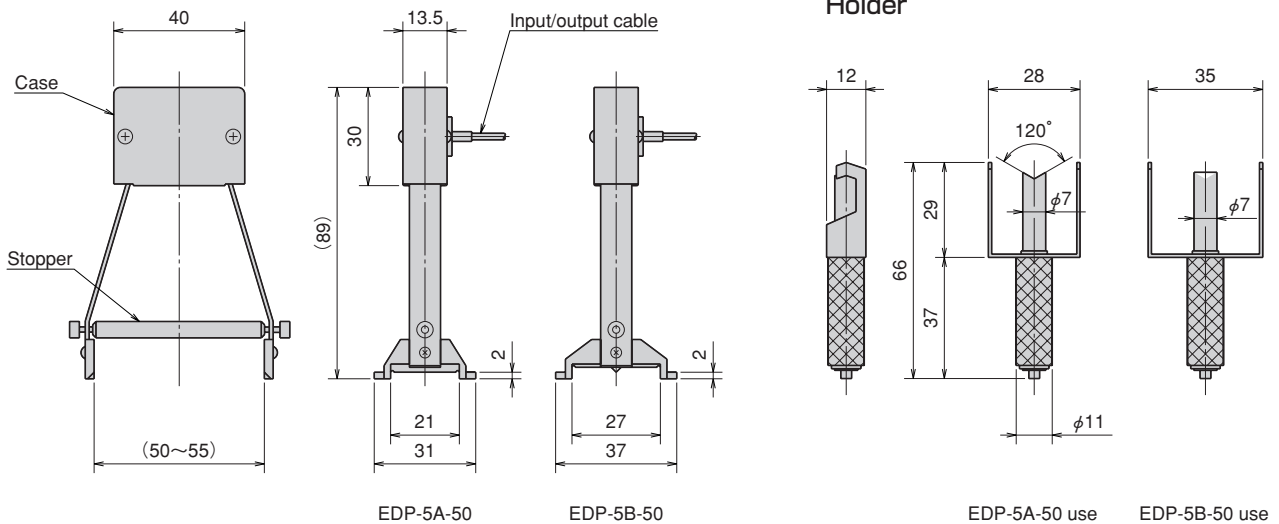
EDP-A/-B Extensometer

5mm



The EDP series Displacement Transducer is designed to measure elongation in round metal rod and sheet metal test specimen. It has a special holder that simply and securely holds it in place, and it detects elongation in test specimen based on displacement between two knife edges. This series uses a strain gauge for the sensing element and can be connected to an ordinary strainmeter for high precision measurements.

Protection ratings : IP 20 equivalent



Specifications

Type	EDP-5A-50	EDP-5B-50
Capacity	5mm	
Gauge Length	50mm	
Applicable test specimen	Round bar $\phi 8\sim 20\text{mm}$	Plate 5~17mm thickness 10~25mm width
Rated output	3mV/V (6000 $\times 10^{-6}$ strain)	
Sensitivity	1200 $\times 10^{-6}$ strain/mm	
Non-linearity	0.3%RO	
Temperature range	0~+40°C	
Input/output resistance	350 Ω	
Recommended exciting voltage	Less than 2V	
Allowable exciting voltage	10V	
Weight	30g (Extensometer) / 40g (1 pair of holder)	

Input/Output cable : $\phi 2.2\text{mm}$ 0.05mm² 4-core vinyl cable 2m